

SECTION 3 CHARTS AND DIAGRAMS

NOTES OF SCHEMATIC DIAGRAM

Safety precautions

The Components identified by the symbol are critical for safety. For continued safety, replace safety critical components only with manufacturer's recommended parts.

1. Units of components on the schematic diagram

Unless otherwise specified.

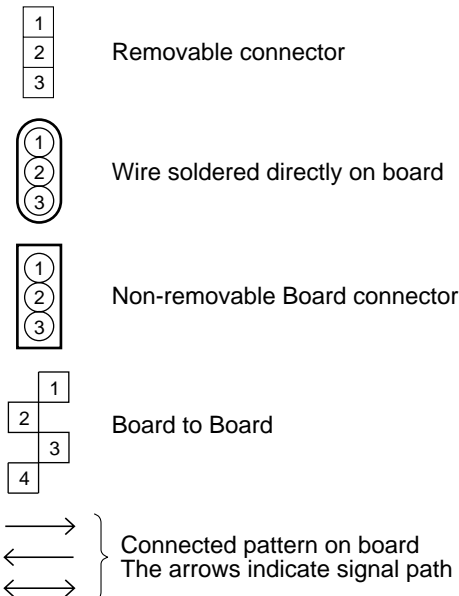
- 1) All resistance values are in ohm, 1/6 W, 1/8 W (refer to parts list).
Chip resistors are 1/16 W.
K: K Ω (1000 Ω), M: M Ω (1000K Ω)
- 2) All capacitance values are in μ F, (P: PF).
- 3) All inductance values are in μ H, (m: mH).
- 4) All diodes are 1SS133, MA165 or 1N4148M (refer to parts list).

2. Indications of control voltage

AUX : Active at high

$\overline{\text{AUX}}$ or AUX(L) : Active at low

3. Interpreting Connector indications



4. Voltage measurement

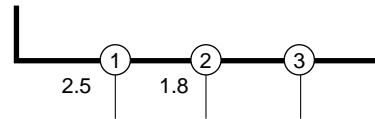
1) Video circuits

Voltage are DC-measured (reference to ground) with a voltmeter by supplying the color bar signal during print screen mode.

— : Unmeasurable or unnecessary to measure

2) Indication on schematic diagram

Voltage indications on the schematic diagram are as shown below.



Note: If the voltages are not indicated on the schematic diagram, refer to the voltage charts.

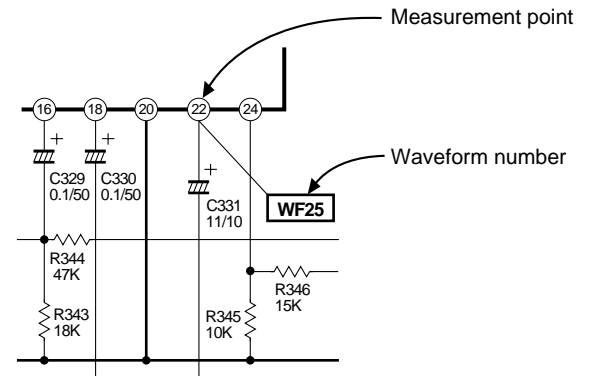
5. Waveform measurement

1) Video circuits

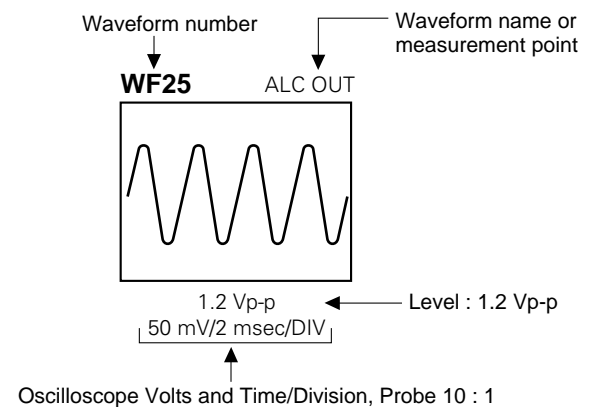
Waveforms are measured (reference to ground) with a color bar signal during print screen mode.

2) Indication on schematic diagram

Waveform indications on the schematic diagram are as shown below.

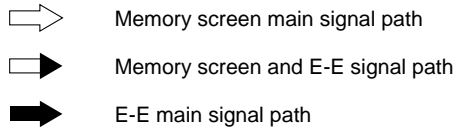


3) Waveform indications

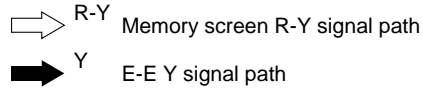


6. Signal path Symbols

The arrows indicate the signal path as follows.

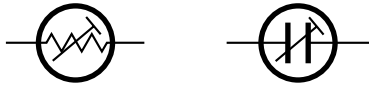


(Example)



7. Indication of the parts for adjustments

The parts for the adjustments are surrounded with the circle as shown below.



8. Indication of the parts not mounted on the circuit board

"OPEN" is indicated by the parts not mounted on the circuit board.



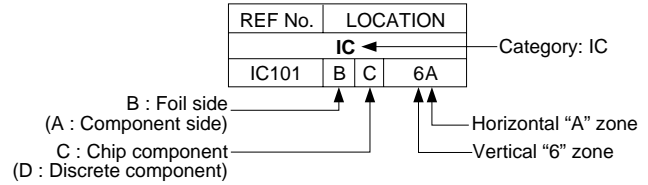
CIRCUIT BOARD NOTES

1. Foil and Component sides

- 1) Foil side (B side) :
Parts on the foil side seen from foil face (pattern face) are indicated.
- 2) Component side (A side) :
Parts on the component side seen from component face (parts face) indicated.

2. Parts location guides

Parts location are indicated by guide scale on the circuit board.

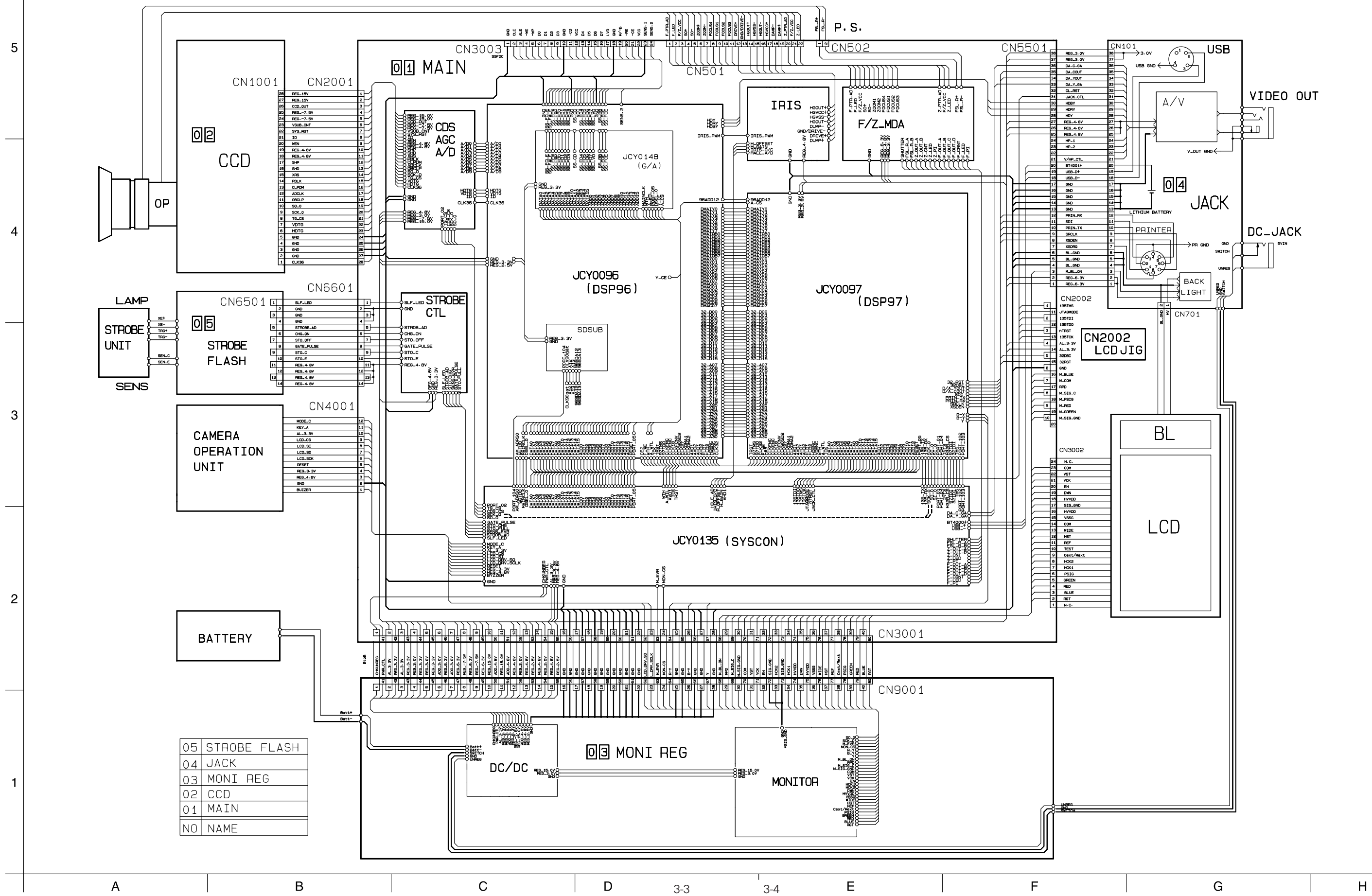


Note:

For general information in service manual, please refer to the Service Manual of GENERAL INFORMATION Edition 4 No. 82054D (January 1994).

3.1 BOARD INTERCONNECTION

NOTE : When ordering parts, be sure to order according to the Part Number indicated in the Parts List.



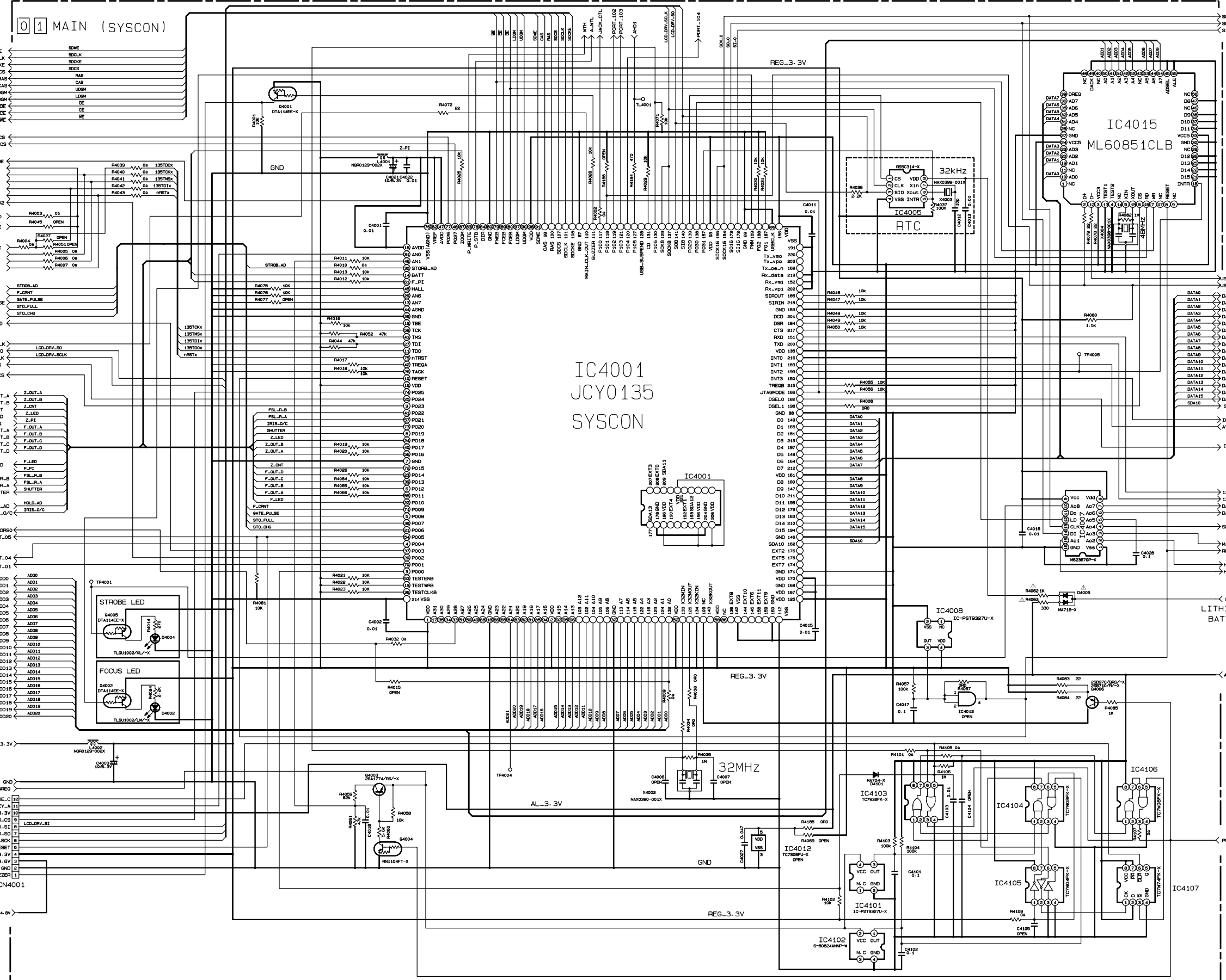
| | |
|----|--------------|
| 05 | STROBE FLASH |
| 04 | JACK |
| 03 | MONI REG |
| 02 | CCD |
| 01 | MAIN |
| NO | NAME |

3.2 MAIN (SYSCON) SCHEMATIC DIAGRAM

NOTE : When ordering parts, be sure to order according to the Part Number indicated in the Parts List.

5
4
3
2
1

TO DSP97 (page 3-9)
TO SD SUB (page 3-11)

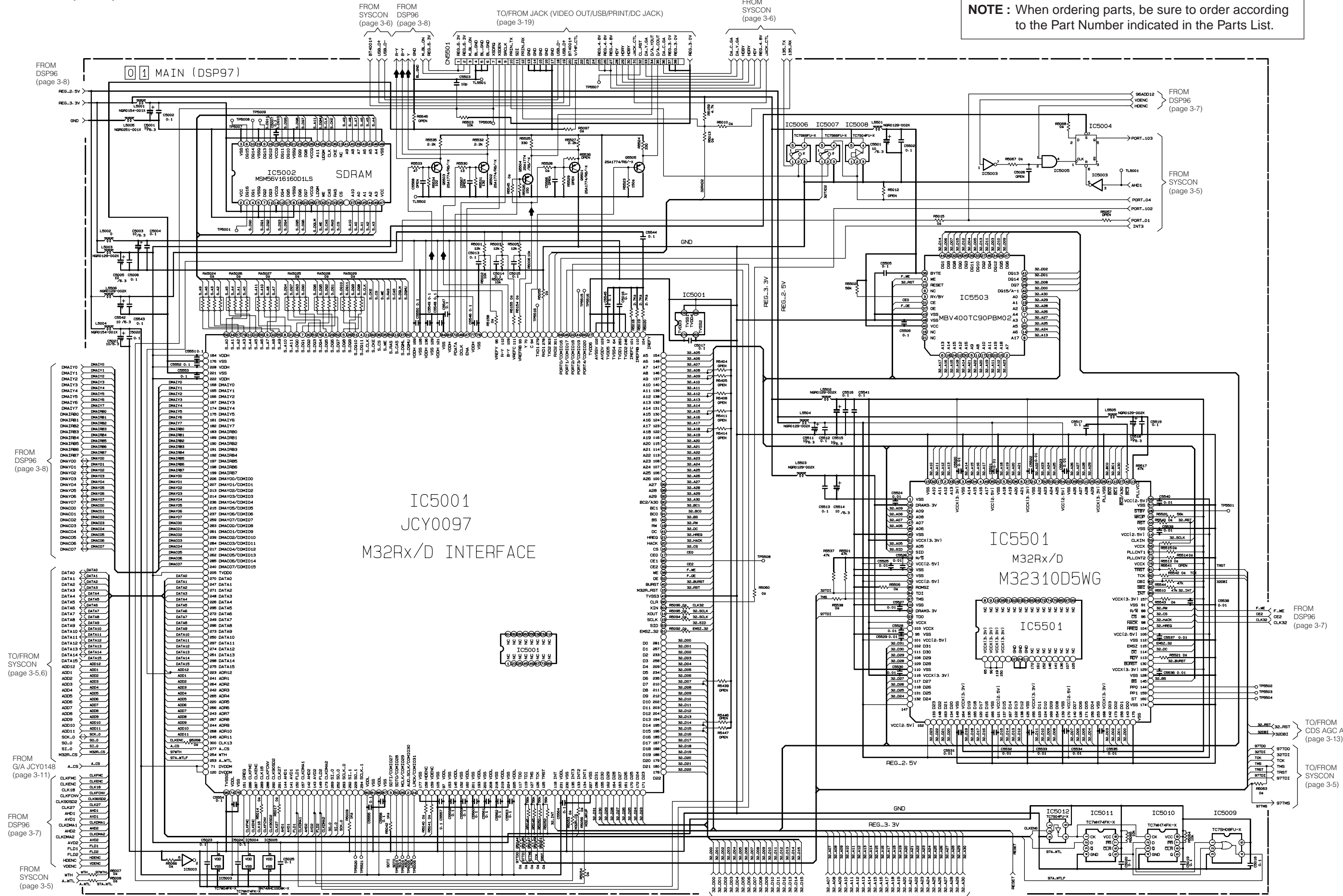


TO CDS AGC A/D (page 3-13)
TO DSP97 (page 3-9)
TO/FROM DSP96/DSP97/ARM ROM (page 3-8,9,13)
FROM G/A 148 (page 3-11)
TO DSP97 (page 3-10)
TO STROBE CONTROL (page 3-14)
TO DSP96 (page 3-14)
TO IRIS (page 3-14)
FROM DSP97 (page 3-9)
LITHIUM BATTERY
TO DSP96 (page 3-8)
FROM DC/DC (page 3-18)

A B C 3-5 3-6 E F G H

3.4 MAIN (DSP97) SCHEMATIC DIAGRAM

NOTE : When ordering parts, be sure to order according to the Part Number indicated in the Parts List.

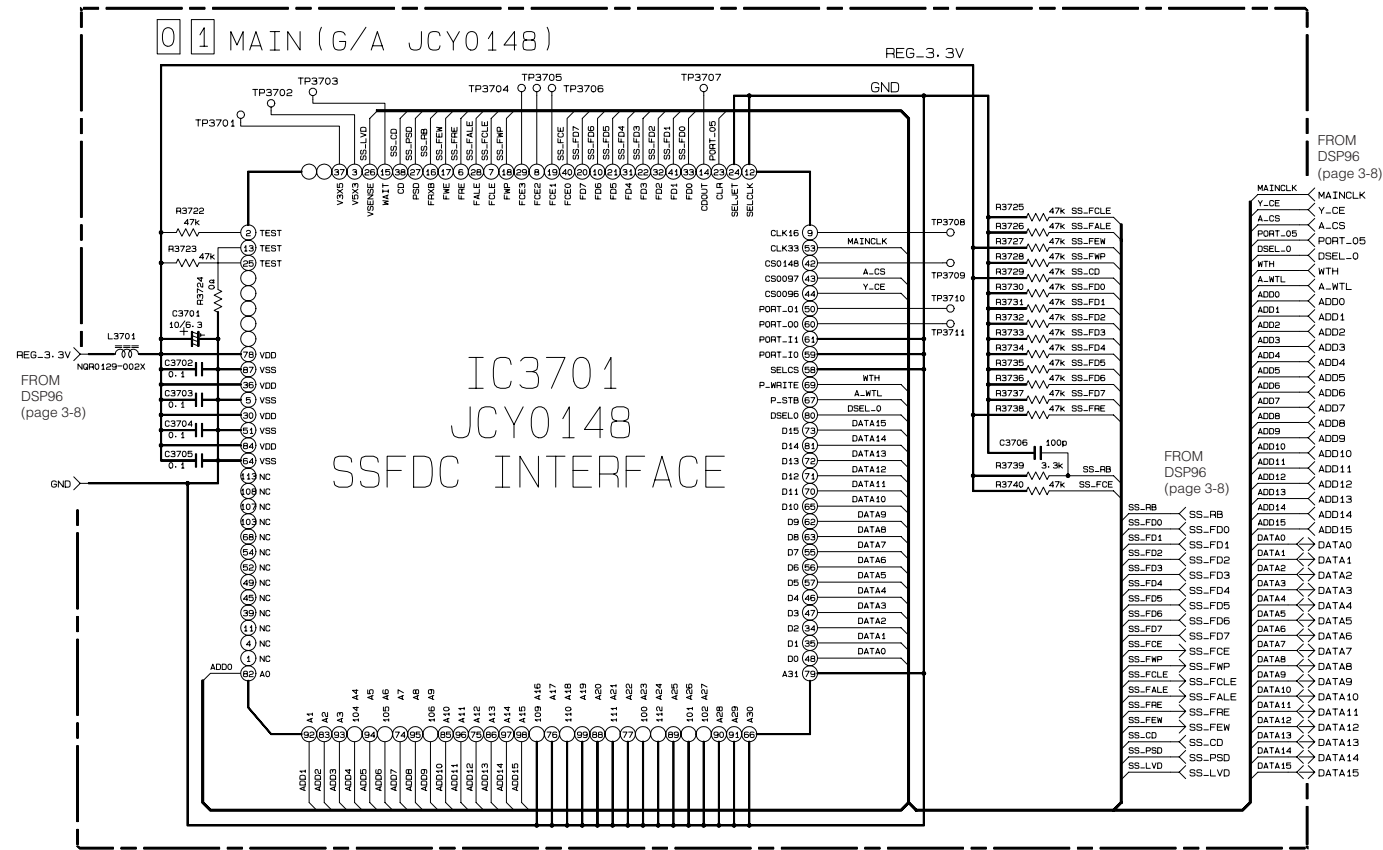


5
4
3
2
1

A B C D 3-9 3-10 E F G H

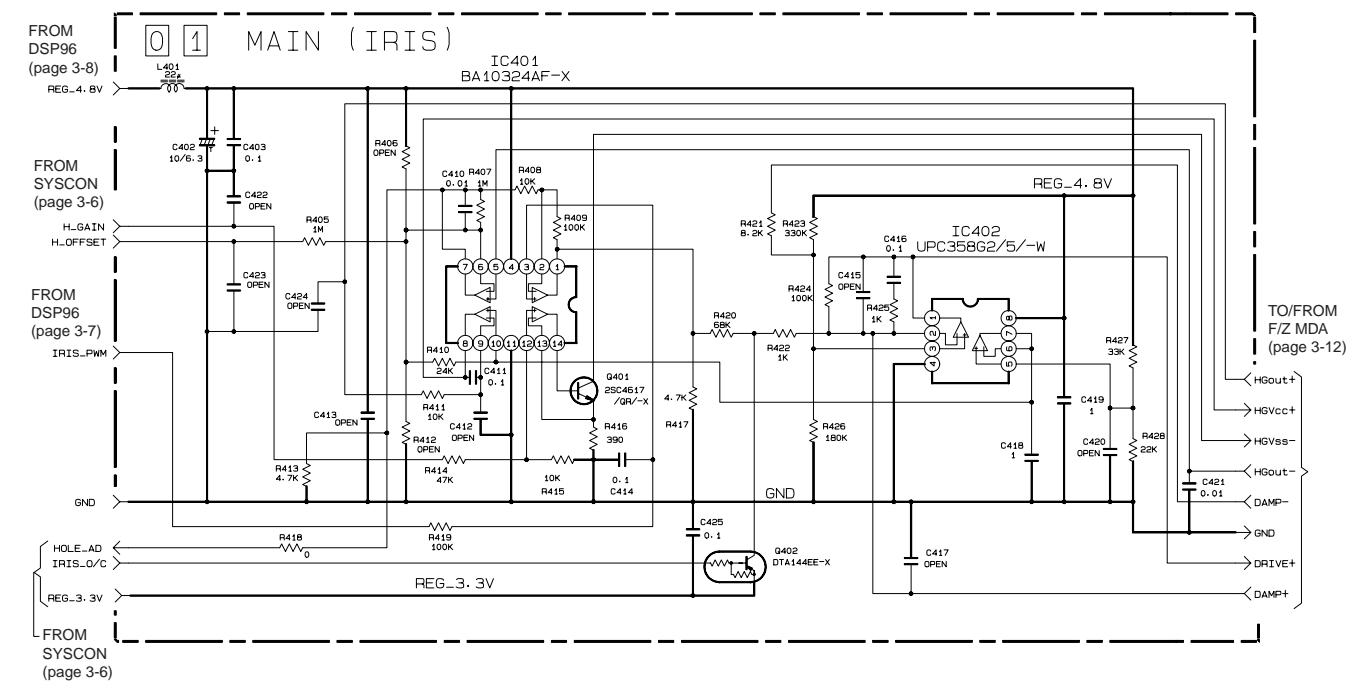
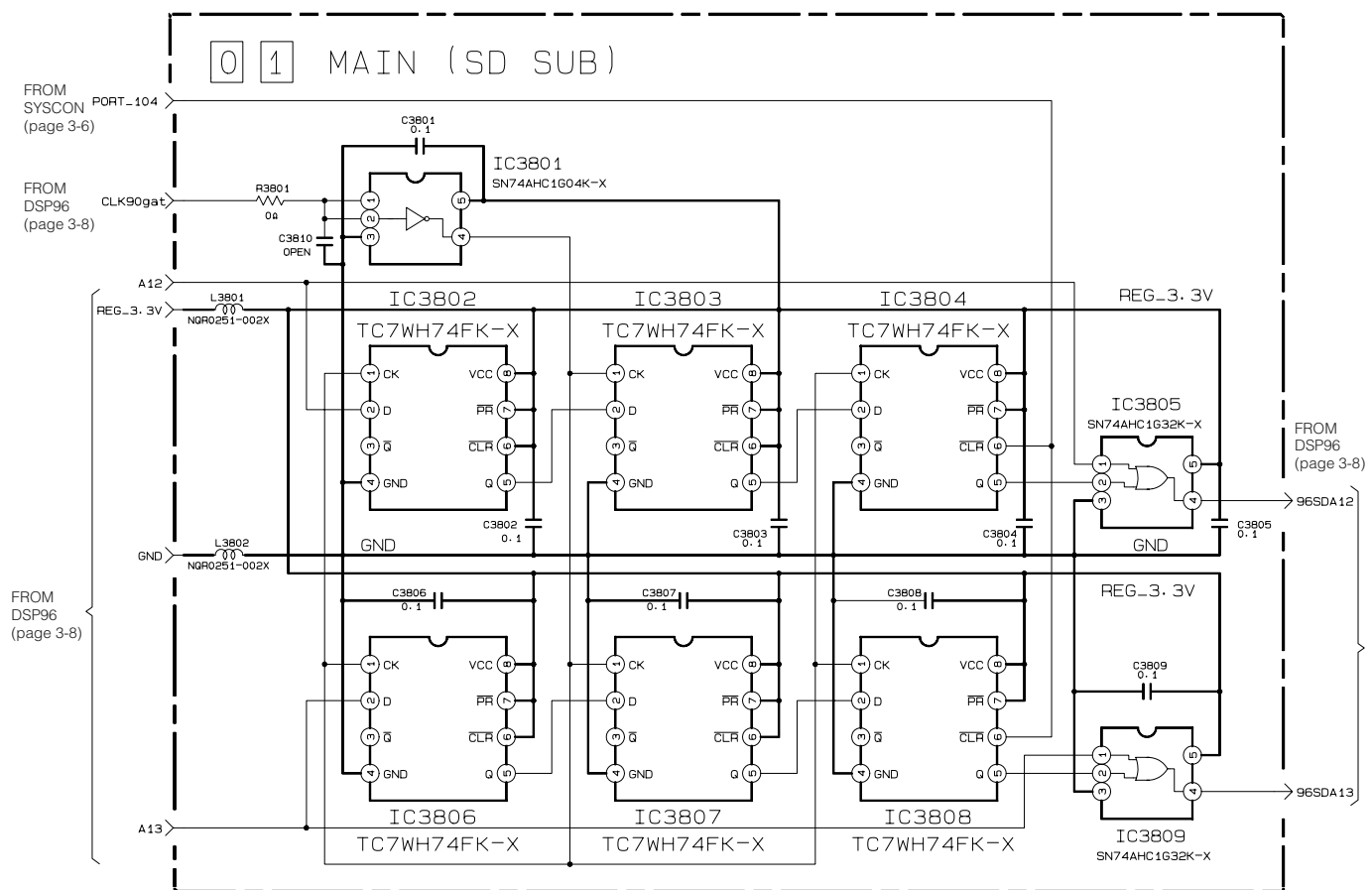
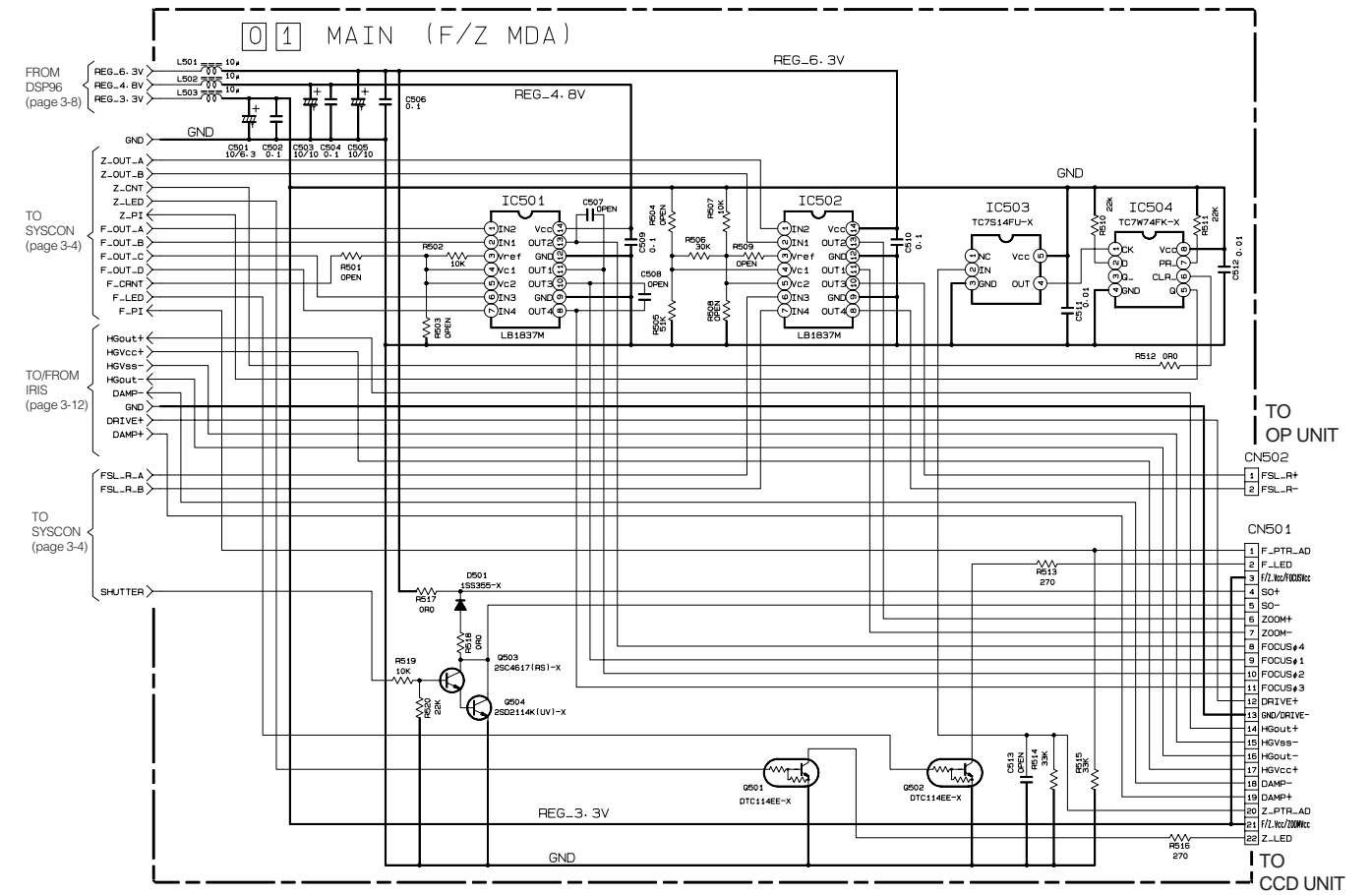
3.5 MAIN (G/A JCY0148) AND MAIN (SD SUB) SCHEMATIC DIAGRAM

NOTE : When ordering parts, be sure to order according to the Part Number indicated in the Parts List.



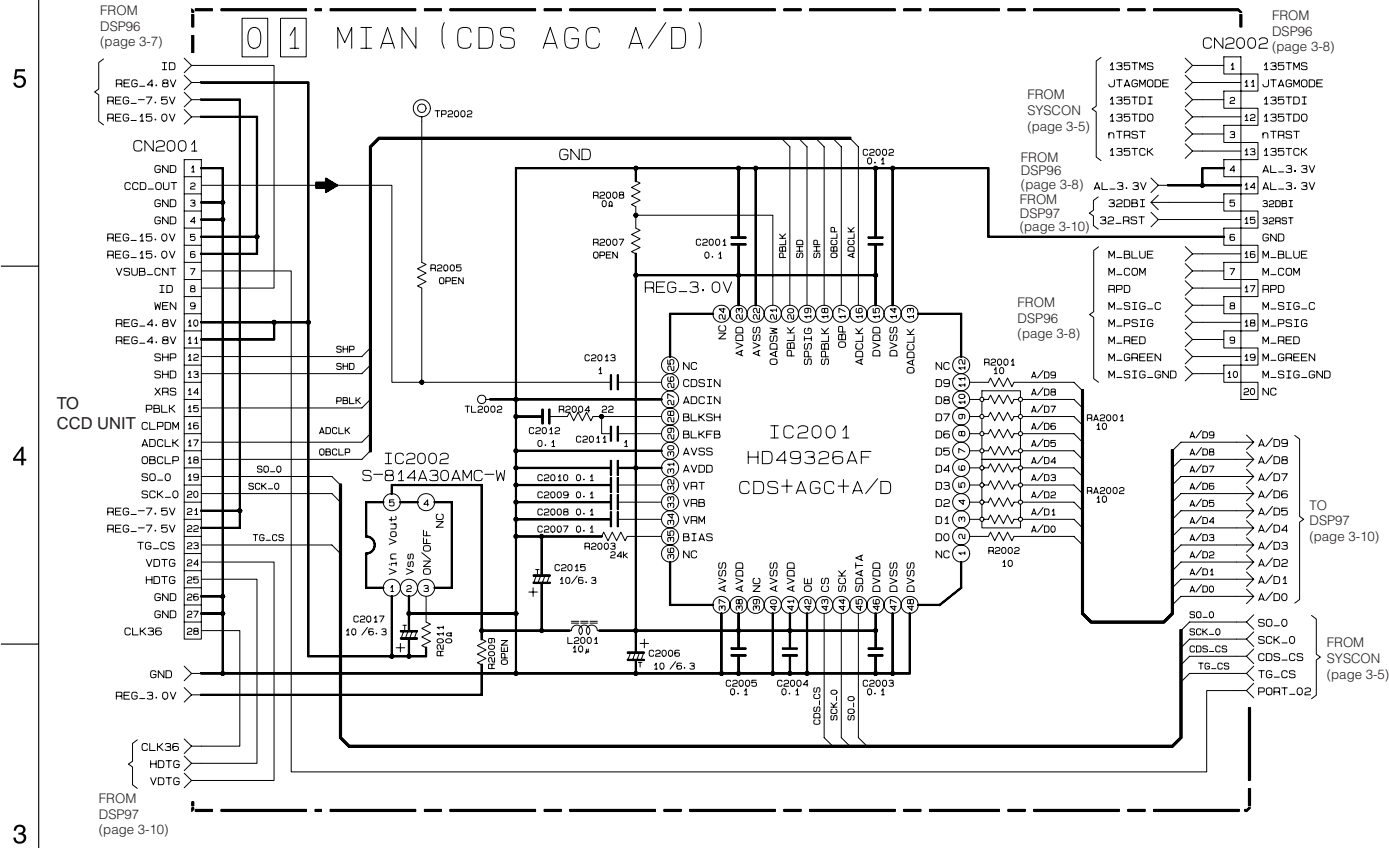
3.6 MAIN (F/Z MDA) AND MAIN (IRIS) SCHEMATIC DIAGRAMS

NOTE : When ordering parts, be sure to order according to the Part Number indicated in the Parts List.



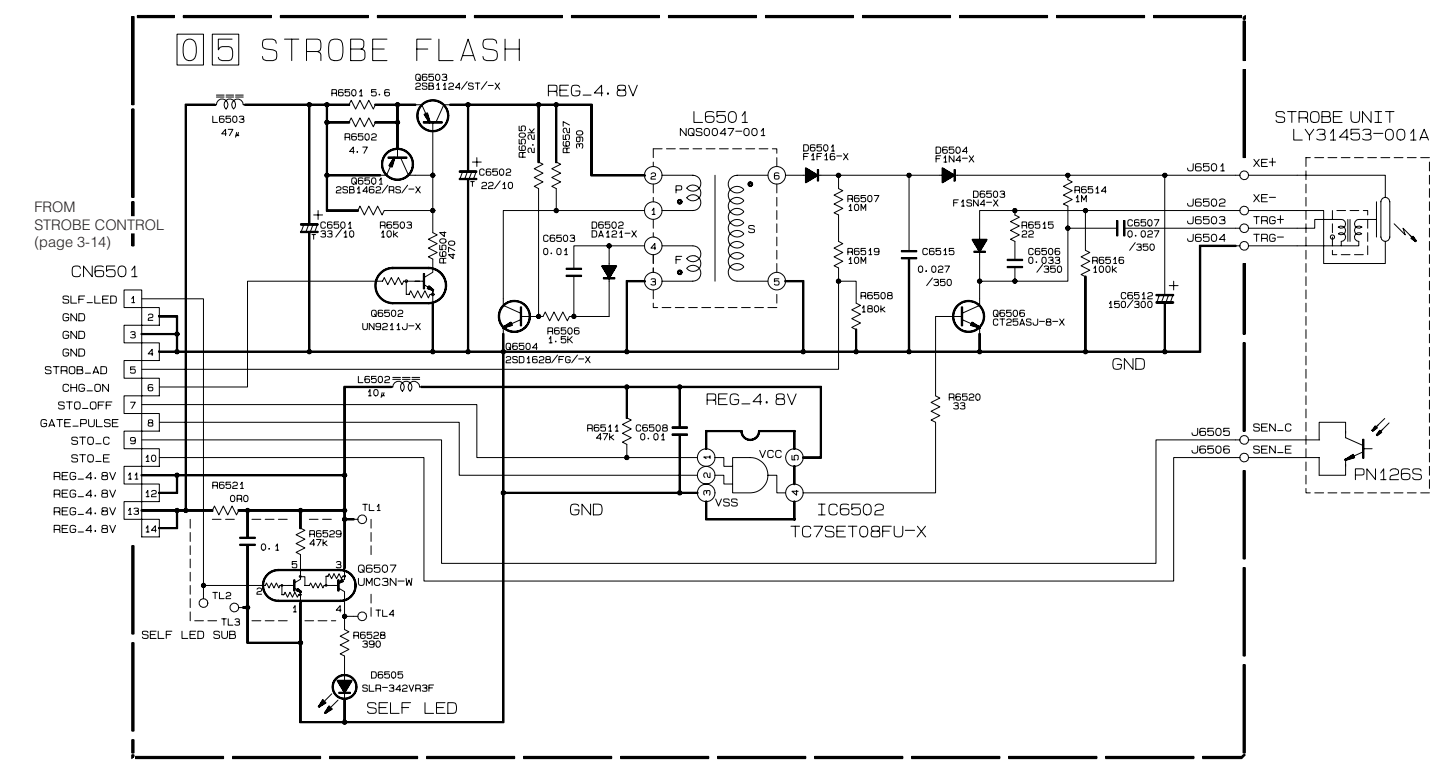
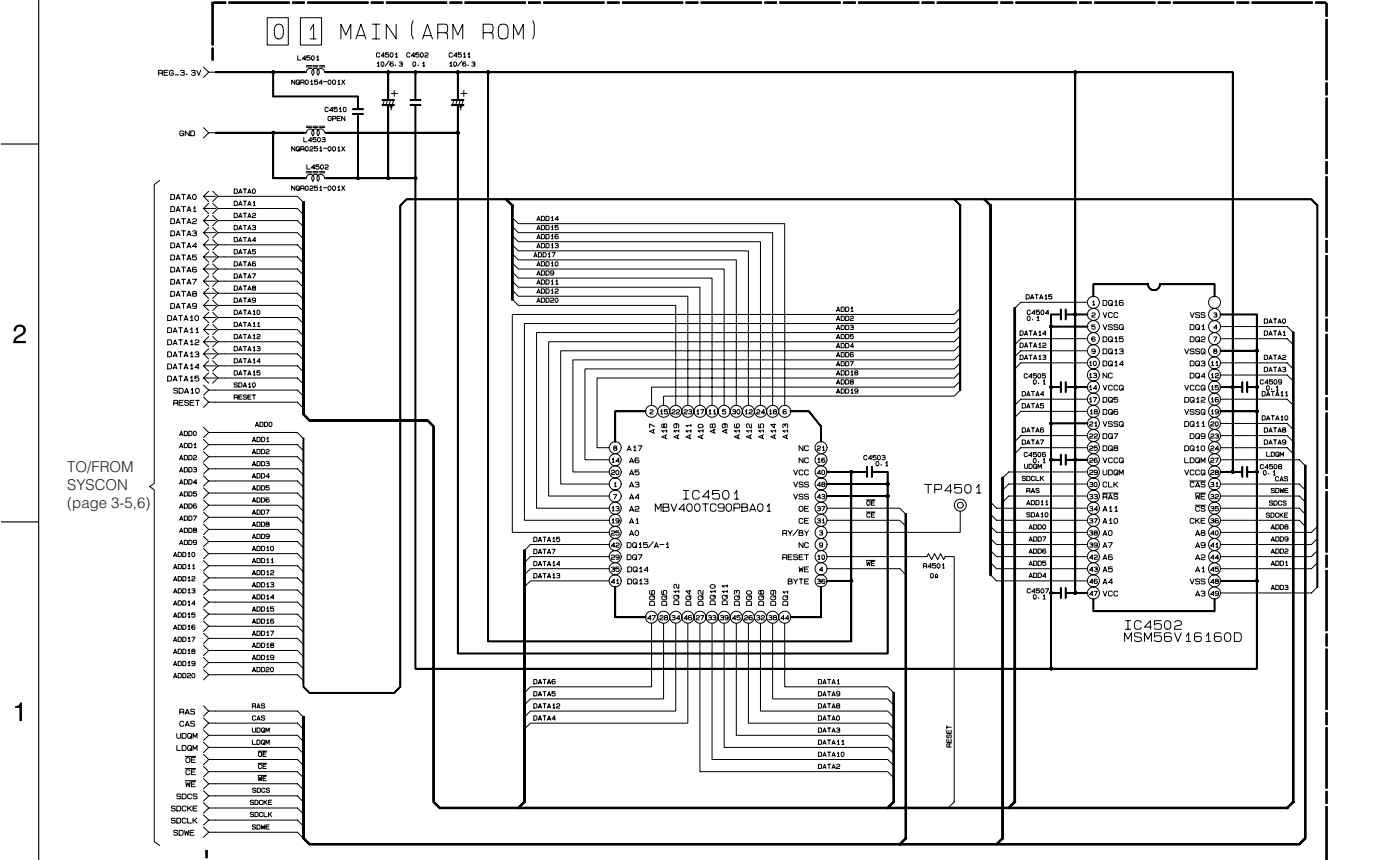
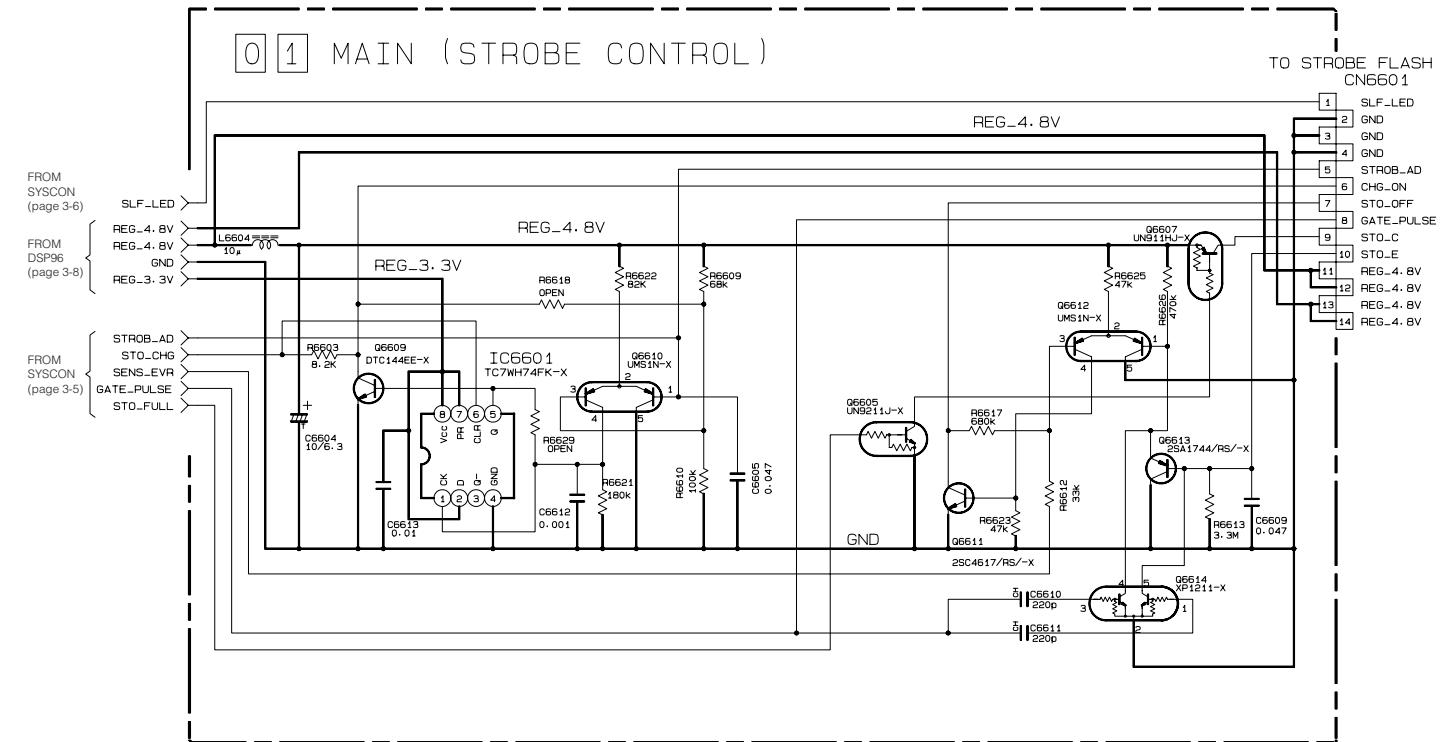
3.7 MAIN (CDS AGC A/D AND ARM ROM) SCHEMATIC DIAGRAM

NOTE : When ordering parts, be sure to order according to the Part Number indicated in the Parts List.



3.8 MAIN (STROBE CONTROL AND STROBE FLASH) SCHEMATIC DIAGRAM

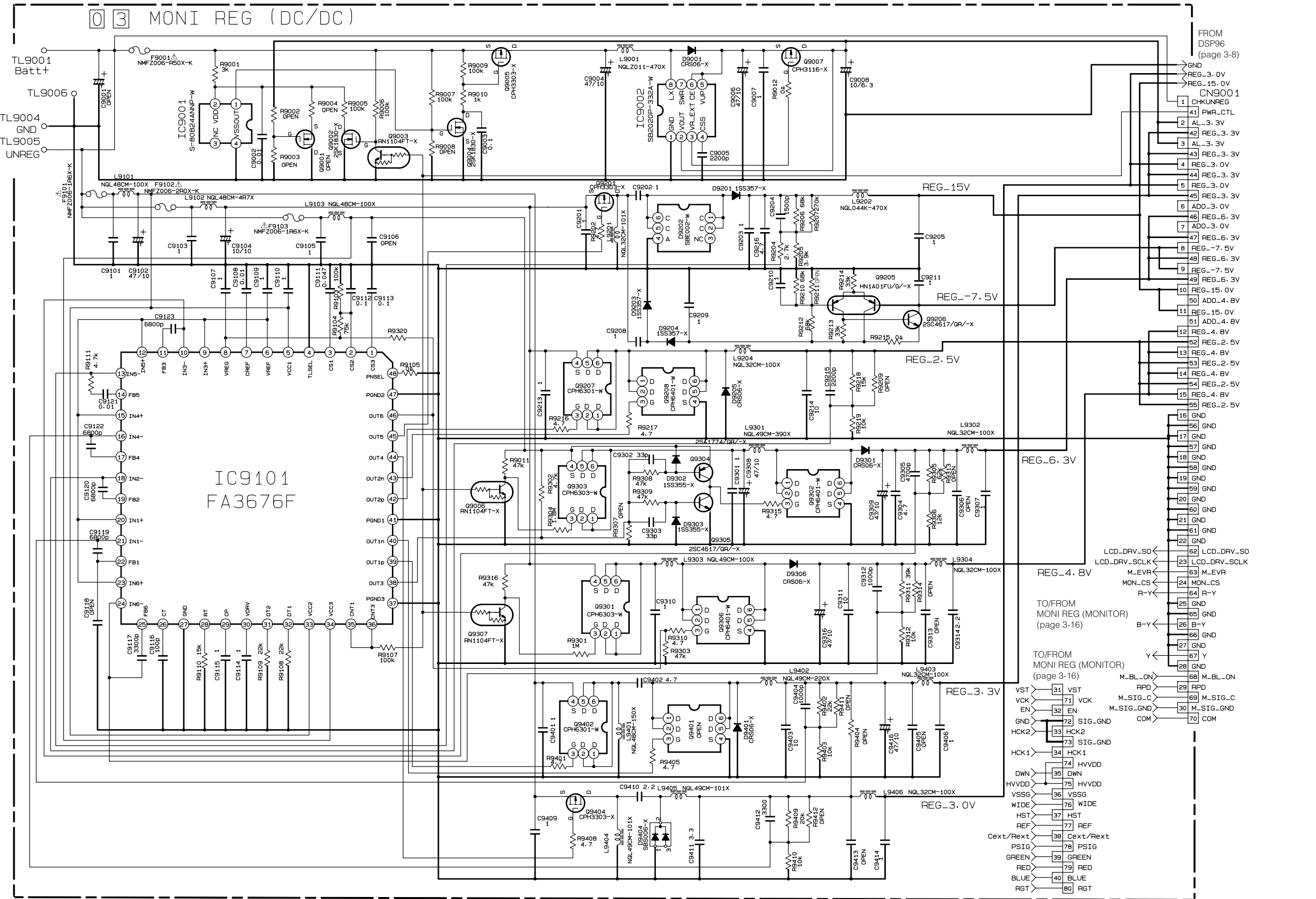
NOTE : When ordering parts, be sure to order according to the Part Number indicated in the Parts List.



3.11 MONITOR REG (DC/DC) SCHEMATIC DIAGRAMS

NOTE : When ordering parts, be sure to order according to the Part Number indicated in the Parts List.

5
4
3
2
1



FROM DSP96 (page 3-8)

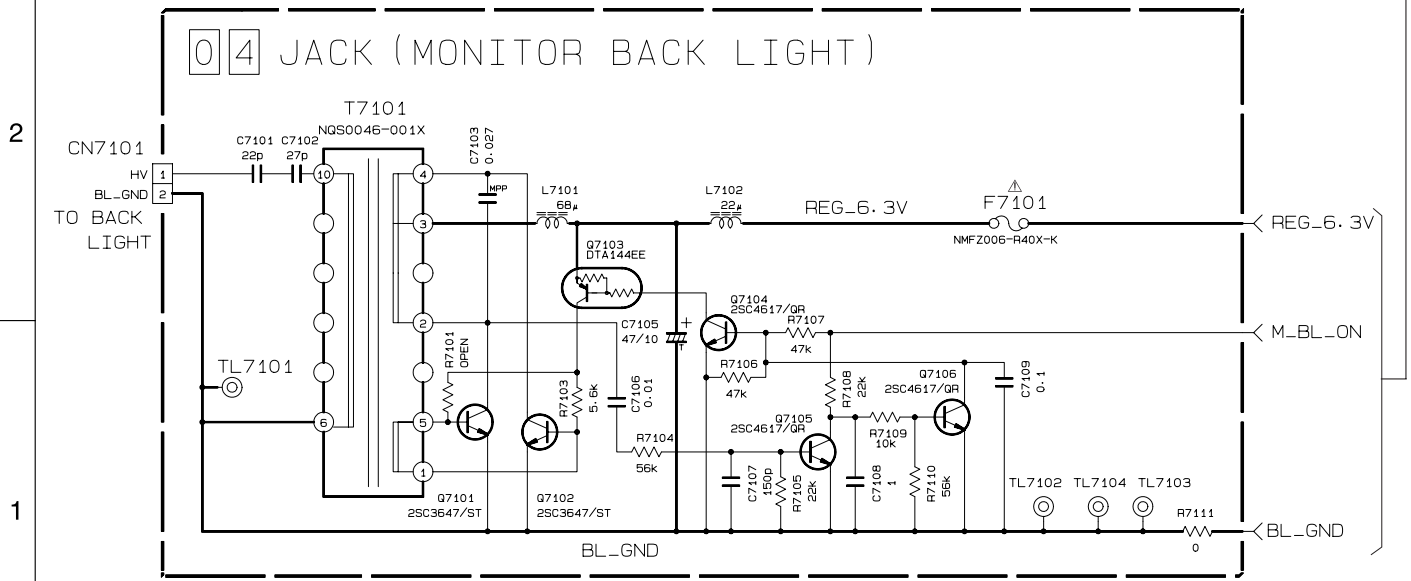
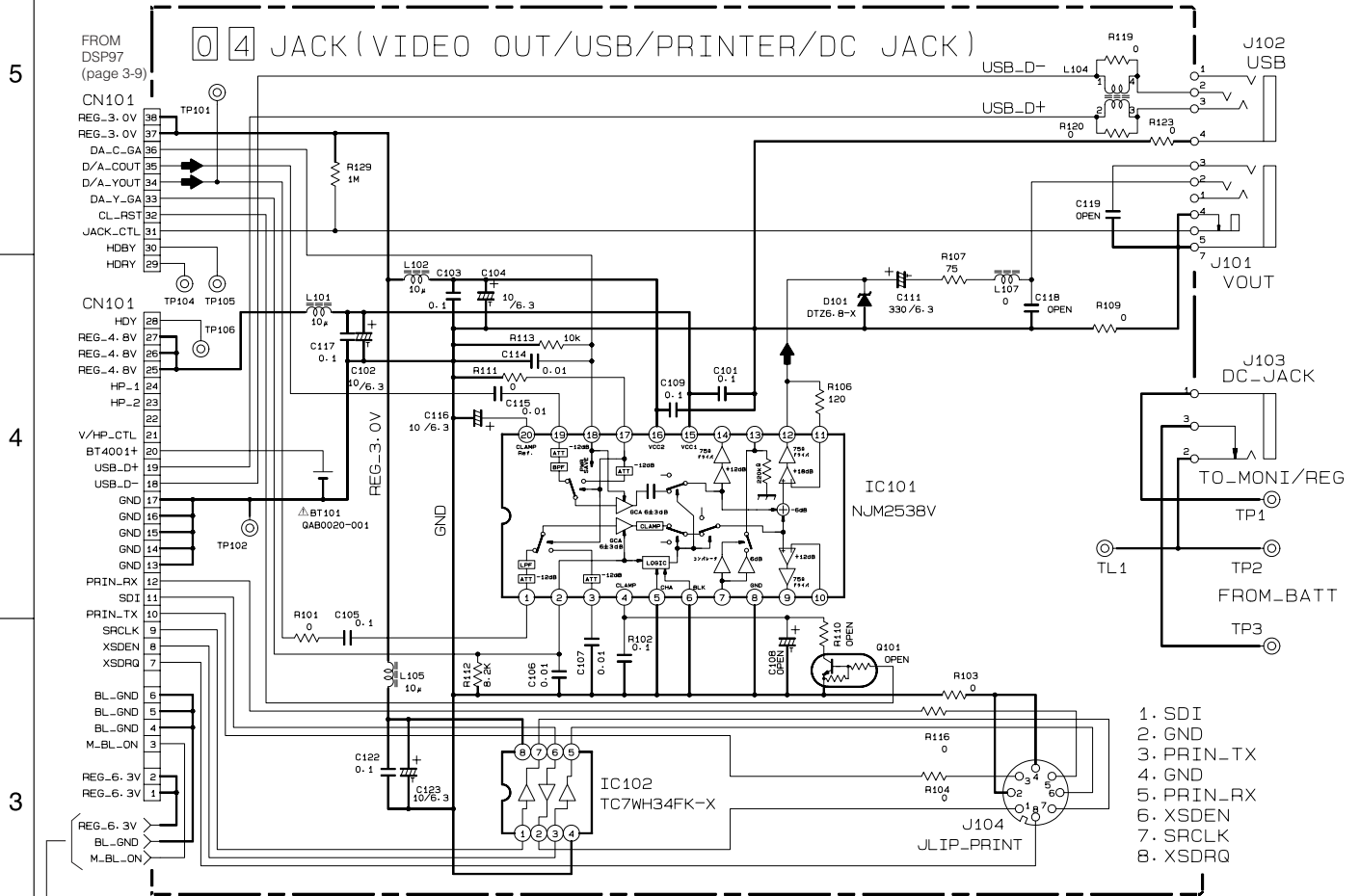
CN9001

- 1 CHKUNREG
- 2 PWR_CTL
- 3 AL_-3.3V
- 4 AL_-3.3V
- 5 REG_3.3V
- 6 REG_3.0V
- 7 REG_3.0V
- 8 REG_3.0V
- 9 REG_3.0V
- 10 REG_3.0V
- 11 ADD_-3.0V
- 12 REG_-6.3V
- 13 ADD_-3.0V
- 14 REG_-6.3V
- 15 REG_-6.3V
- 16 REG_-7.5V
- 17 REG_-7.5V
- 18 REG_-7.5V
- 19 REG_-7.5V
- 20 REG_-7.5V
- 21 REG_-7.5V
- 22 REG_-7.5V
- 23 REG_-7.5V
- 24 REG_-7.5V
- 25 REG_-7.5V
- 26 REG_-7.5V
- 27 REG_-7.5V
- 28 REG_-7.5V
- 29 REG_-7.5V
- 30 REG_-7.5V
- 31 REG_-7.5V
- 32 REG_-7.5V
- 33 REG_-7.5V
- 34 REG_-7.5V
- 35 REG_-7.5V
- 36 REG_-7.5V
- 37 REG_-7.5V
- 38 REG_-7.5V
- 39 REG_-7.5V
- 40 REG_-7.5V
- 41 REG_-7.5V
- 42 REG_-7.5V
- 43 REG_-7.5V
- 44 REG_-7.5V
- 45 REG_-7.5V
- 46 REG_-7.5V
- 47 REG_-7.5V
- 48 REG_-7.5V
- 49 REG_-7.5V
- 50 REG_-7.5V
- 51 REG_-7.5V
- 52 REG_-7.5V
- 53 REG_-7.5V
- 54 REG_-7.5V
- 55 REG_-7.5V
- 56 GND
- 57 GND
- 58 GND
- 59 GND
- 60 GND
- 61 GND
- 62 GND
- 63 GND
- 64 GND
- 65 GND
- 66 GND
- 67 GND
- 68 GND
- 69 GND
- 70 GND
- 71 GND
- 72 GND
- 73 GND
- 74 GND
- 75 GND
- 76 GND
- 77 GND
- 78 GND
- 79 GND
- 80 GND

A B C D E F G H

3.12 JACK(VIDEO OUT/USB/PRINTER/DC JACK) AND MONITOR BACK LIGHT SCHEMATIC DIAGRAM

NOTE : When ordering parts, be sure to order according to the Part Number indicated in the Parts List.



3.13 VOLTAGE CHARTS

<SYSCON>

| MODE PIN NO. | REC | PLAY |
|--------------|-----|------|
| IC4005 | | |
| 1 | - | - |
| 2 | - | - |
| 3 | - | - |
| 4 | - | - |
| 5 | - | - |
| 6 | - | - |
| 7 | - | - |
| 8 | - | - |
| IC4007 | | |
| 1 | 0 | 0 |
| 2 | 2.5 | 2.5 |
| 3 | 1.3 | 1.3 |
| 4 | 0.6 | 0.6 |
| 5 | 0 | 0 |
| 6 | 0 | 0 |
| 7 | 0 | 0 |
| 8 | 3.1 | 3.1 |
| 9 | 3.1 | 3.1 |
| 10 | 3.1 | 3.1 |
| 11 | 1.3 | 2 |
| 12 | 0 | 0 |
| 13 | 3 | 3 |
| 14 | - | - |
| 15 | 0.9 | 0.9 |
| 16 | 0 | 0 |
| IC4008 | | |
| 1 | - | - |
| 2 | - | - |
| 3 | - | - |
| 4 | - | - |
| IC4101 | | |
| 1 | - | - |
| 2 | - | - |
| 3 | - | - |
| 4 | - | - |
| IC4102 | | |
| 1 | - | - |
| 2 | - | - |
| 3 | - | - |
| 4 | - | - |
| IC4103 | | |
| 1 | - | - |
| 2 | - | - |
| 3 | - | - |
| 4 | - | - |
| 5 | - | - |
| 6 | - | - |
| 7 | - | - |
| 8 | - | - |
| IC4104 | | |
| 1 | - | - |
| 2 | - | - |
| 3 | - | - |
| 4 | - | - |
| 5 | - | - |
| 6 | - | - |
| 7 | - | - |
| 8 | - | - |
| IC4105 | | |
| 1 | - | - |
| 2 | - | - |
| 3 | - | - |

| MODE PIN NO. | REC | PLAY |
|--------------|-----|------|
| 4 | - | - |
| 5 | - | - |
| 6 | - | - |
| 7 | - | - |
| 8 | - | - |
| IC4106 | | |
| 1 | - | - |
| 2 | - | - |
| 3 | - | - |
| 4 | - | - |
| 5 | - | - |
| 6 | - | - |
| 7 | - | - |
| 8 | - | - |
| IC4107 | | |
| 1 | - | - |
| 2 | - | - |
| 3 | - | - |
| 4 | - | - |
| 5 | - | - |
| 6 | - | - |
| 7 | - | - |
| 8 | - | - |
| Q4001 | | |
| E | 3.1 | 3.1 |
| C | 0 | 3.1 |
| B | 3.1 | 1.4 |
| Q4002 | | |
| E | 0 | 3.1 |
| C | 3 | 0 |
| B | 0 | 3.1 |
| Q4003 | | |
| E | - | - |
| C | - | - |
| B | - | - |
| Q4004 | | |
| E | - | - |
| C | - | - |
| B | - | - |
| Q4005 | | |
| E | 3.1 | 3.1 |
| C | 0 | 0 |
| B | 3.1 | 3.1 |
| Q4006 | | |
| E | - | - |
| C | - | - |
| B | - | - |

<DSP96>

| MODE PIN NO. | REC | PLAY |
|--------------|-----|------|
| IC3002 | | |
| 1 | 0.9 | 0.8 |
| 2 | 0.9 | 0.8 |
| 3 | 0 | 0 |
| 4 | 1.8 | 1.7 |
| 5 | 3.1 | 3.2 |
| IC3504 | | |
| 1 | - | - |
| 2 | - | - |
| 3 | - | - |
| 4 | - | - |
| 5 | - | - |

<DSP97>

| MODE PIN NO. | REC | PLAY |
|--------------|-----|------|
| IC3002 | | |
| 1 | 0.9 | 0.8 |
| 2 | 0.9 | 0.8 |
| 3 | 0 | 0 |
| 4 | 1.8 | 1.7 |
| 5 | 3.1 | 3.2 |
| IC3504 | | |
| 1 | - | - |
| 2 | - | - |
| 3 | - | - |
| 4 | - | - |
| 5 | - | - |

<SD SUB>

| MODE PIN NO. | REC | PLAY |
|--------------|-----|------|
| IC3801 | | |
| 1 | 0.8 | 1.1 |
| 2 | 0.8 | 1 |
| 3 | 0 | 0 |
| 4 | 1.4 | 1.5 |
| 5 | 3.1 | 3.1 |
| IC3802 | | |
| 1 | - | - |
| 2 | - | - |
| 3 | - | - |
| 4 | - | - |
| 5 | - | - |
| 6 | - | - |
| 7 | - | - |
| 8 | - | - |
| IC3803 | | |
| 1 | - | - |
| 2 | - | - |
| 3 | - | - |
| 4 | - | - |
| 5 | - | - |
| 6 | - | - |
| 7 | - | - |
| 8 | - | - |
| IC3804 | | |
| 1 | - | - |
| 2 | - | - |
| 3 | - | - |
| 4 | - | - |
| 5 | - | - |
| 6 | - | - |
| 7 | - | - |
| 8 | - | - |
| IC3805 | | |
| 1 | 0 | 0 |
| 2 | 0 | 0 |
| 3 | 0 | 0 |
| 4 | 0 | 0 |
| 5 | 3.1 | 3.1 |
| IC3806 | | |
| 1 | 1.5 | 1.5 |
| 2 | 0 | 0 |
| 3 | 3.1 | 3.2 |
| 4 | 0 | 0 |
| 5 | 0 | 0 |
| 6 | 3.1 | 3.1 |
| 7 | 3.1 | 3.1 |
| 8 | 3.1 | 3.1 |
| IC3807 | | |
| 1 | 1.5 | 1.5 |

| MODE PIN NO. | REC | PLAY |
|--------------|-----|------|
| 2 | 0 | 0 |
| 3 | 3.1 | 3.1 |
| 4 | 0 | 0 |
| 5 | 0 | 0 |
| 6 | 3.1 | 3.2 |
| 7 | 3.1 | 3.2 |
| 8 | 3.1 | 3.2 |
| IC3808 | | |
| 1 | 1.5 | 1.5 |
| 2 | 0 | 0 |
| 3 | 3.1 | 3.1 |
| 4 | 0 | 0 |
| 5 | 0 | 0 |
| 6 | 3.1 | 3.2 |
| 7 | 3.1 | 3.2 |
| 8 | 3.1 | 3.2 |
| IC3809 | | |
| 1 | 0 | 0 |
| 2 | 0 | 0 |
| 3 | 0 | 0 |
| 4 | 0 | 0 |
| 5 | 3.2 | 3.1 |

<F/Z MDA>

| MODE PIN NO. | REC | PLAY |
|--------------|-----|------|
| IC501 | | |
| 1 | 0 | 0 |
| 2 | 0 | 0 |
| 3 | 0 | 0 |
| 4 | 0 | 0 |
| 5 | 0 | 0 |
| 6 | 0 | 0 |
| 7 | 0 | 0 |
| 8 | 0 | 0 |
| 9 | 0 | 0 |
| 10 | 0 | 0 |
| 11 | 0 | 0 |
| 12 | 0 | 0 |
| 13 | 0 | 0 |
| 14 | 6.5 | 6.6 |
| IC502 | | |
| 1 | 0 | 0 |
| 2 | 0 | 0 |
| 3 | 0 | 0 |
| 4 | 0 | 0 |
| 5 | 0 | 0 |
| 6 | 0 | 0 |
| 7 | 0 | 0 |
| 8 | 0 | 0 |
| 9 | 0 | 0 |
| 10 | 0 | 0 |
| 11 | 0 | 0 |
| 12 | 0 | 0 |
| 13 | 0 | 0 |
| 14 | 6.5 | 6.6 |
| IC503 | | |
| 1 | 0 | 0 |
| 2 | 0 | 0 |
| 3 | 0 | 0 |
| 4 | 3.2 | 3.2 |
| 5 | 3.2 | 3.2 |

| MODE PIN NO. | REC | PLAY |
|--------------|-----|------|
| IC504 | | |
| 1 | 3.2 | 3.2 |
| 2 | 3.2 | 3.2 |
| 3 | 3.2 | 3.2 |
| 4 | 0 | 0 |
| 5 | 0 | 0 |
| 6 | 3.1 | 3.1 |
| 7 | 3.1 | 3.1 |
| 8 | 3.1 | 3.2 |
| Q501 | | |
| E | 0 | 0 |
| C | 2.8 | 2.9 |
| B | 0 | 0 |
| Q502 | | |
| E | 0 | 0 |
| C | 2.6 | 2.7 |
| B | 0 | 0 |
| Q503 | | |
| E | 0 | 0 |
| C | 6.6 | 6.6 |
| B | 0 | 0 |
| Q504 | | |
| E | 0 | 0 |
| C | 6.6 | 6.6 |
| B | 0 | 0 |

<IRIS>

| MODE PIN NO. | REC | PLAY |
|--------------|-----|------|
| IC401 | | |
| 1 | 0 | 0 |
| 2 | 1.7 | 3.8 |
| 3 | 0.4 | 0 |
| 4 | 6.5 | 6.6 |
| 5 | 2.6 | 2.7 |
| 6 | 2.6 | 2.7 |
| 7 | 1.8 | 4.1 |
| 8 | 2.9 | 2.9 |
| 9 | 2.6 | 2.7 |
| 10 | 2.6 | 2.7 |
| 11 | 0 | 0 |
| 12 | 0 | 0 |
| 13 | 0 | 0 |
| 14 | 0.7 | 0.7 |
| IC402 | | |
| 1 | 4.2 | 1.9 |
| 2 | 1.9 | 2.4 |
| 3 | 1.9 | 2.3 |
| 4 | 0 | 0 |
| 5 | 2.6 | 2.7 |
| 6 | 2.6 | 2.6 |
| 7 | 2.6 | 2.7 |
| 8 | 6.5 | 6.6 |
| Q401 | | |
| E | 0 | 0 |
| C | 2.4 | 2.4 |
| B | 0.7 | 0.7 |
| Q402 | | |
| E | 3.2 | 3.2 |
| C | 0 | 2.4 |
| B | 3.2 | 3.1 |

<CCD AGC A/D>

| MODE PIN NO. | REC | PLAY |
|--------------|-----|------|
| IC2001 | | |
| 1 | 0 | 0 |
| 2 | 1.4 | 0 |
| 3 | 1.4 | 0 |
| 4 | 1.5 | 0 |
| 5 | 1.4 | 0 |
| 6 | 1.6 | 0 |
| 7 | 2.3 | 3 |
| 8 | 0.6 | 0 |
| 9 | 0 | 0 |
| 10 | 0 | 0 |
| 11 | 0 | 0 |
| 12 | 0 | 0 |
| 13 | 0 | 0 |
| 14 | 0 | 0 |
| 15 | 3 | 0 |
| 16 | 1.5 | 0 |
| 17 | 0 | 0 |
| 18 | 2.5 | 0 |
| 19 | 2.5 | 0 |
| 20 | 3 | 3 |
| 21 | 0 | 0 |
| 22 | 0 | 0 |
| 23 | 3 | 3 |
| 24 | 0 | 0 |
| 25 | 2 | 0.7 |
| 26 | 2.1 | 2.8 |
| 27 | 0 | 0 |
| 28 | 1.9 | 3 |
| 29 | 2 | 0 |
| 30 | 0 | 0 |
| 31 | 3 | 3 |
| 32 | 2 | 2 |
| 33 | 0 | 1 |
| 34 | 0 | 1.6 |
| 35 | 1.2 | 1.2 |
| 36 | 0 | 0 |
| 37 | 0 | 0 |
| 38 | 3 | 3 |
| 39 | 0 | 0 |
| 40 | 0 | 0 |
| 41 | 3 | 3 |
| 42 | 0 | 0 |
| 43 | 3.1 | 3.1 |
| 44 | 3 | 3 |
| 45 | 0.5 | 0 |
| 46 | 3 | 3 |
| 47 | 0 | 0 |
| 48 | 0 | 0 |
| IC2002 | | |
| 1 | 6.5 | 6.5 |
| 2 | 0 | 0 |
| 3 | 6.5 | 6.5 |
| 4 | 0 | 0 |
| 5 | 3 | 3 |

<STROBE CONTROL>

| MODE PIN NO. | REC | PLAY |
|--------------|-----|------|
| IC6601 | | |
| 1 | 0 | 0 |
| 2 | 3.2 | 3.2 |
| 3 | 3.2 | 3.2 |
| 4 | 0 | 0 |
| 5 | 0 | 0 |
| 6 | 0 | 0 |
| 7 | 3.2 | 3.2 |
| 8 | 3.2 | 3.2 |
| Q6605 | | |
| E | 0 | 0 |
| C | 6.5 | 6.5 |
| B | 0 | 0 |
| Q6607 | | |
| E | 6.2 | 6.5 |
| C | 0 | 0 |
| B | 6.5 | 6.5 |
| Q6609 | | |
| E | 0 | 0 |
| C | 0 | 0 |
| B | 0 | 0 |
| Q6610 | | |
| 1 | 0 | 0 |
| 2 | 0.5 | 0.5 |
| 3 | 3.9 | 3.9 |
| 4 | 0 | 0 |
| 5 | 0 | 0 |
| Q6611 | | |
| E | 0 | 0 |
| C | 6.1 | 0 |
| B | 0 | 0.6 |
| Q6612 | | |
| 1 | 0.5 | 0.5 |
| 2 | 1.1 | 1.1 |
| 3 | 0.6 | 0.6 |
| 4 | 0.6 | 0.5 |
| 5 | 0 | 0 |
| Q6613 | | |
| E | 0.6 | 0.6 |
| C | 0 | 0 |
| B | 0 | 0 |
| Q6614 | | |
| 1 | 0 | 0 |
| 2 | 0 | 0 |
| 3 | 0 | 0 |
| 4 | 0.6 | 0.6 |
| 5 | 0 | 0 |

<STROBE FLASH>

| MODE PIN NO. | REC | PLAY |
|--------------|-----|------|
| IC6502 | | |
| 1 | 0 | 0 |
| 2 | 0 | 0 |
| 3 | 0 | 0 |
| 4 | 0 | 0 |
| 5 | 6.6 | 6.5 |
| Q6501 | | |
| E | 6.5 | 6.6 |
| C | 6.5 | 6.6 |
| B | 6.5 | 6.6 |
| Q6502 | | |
| E | 0 | 0 |
| C | 6.5 | 6.5 |
| B | 0 | 0 |
| Q6503 | | |
| E | 6.5 | 6.5 |
| C | 0 | 0 |
| B | 0 | 0 |
| Q6504 | | |
| E | 0 | 0 |
| C | 0 | 0 |
| B | 0 | 0 |
| Q6506 | | |
| E | - | - |
| C | - | - |
| B | - | - |
| Q6507 | | |
| 1 | 0 | 0 |
| 2 | 0 | 0.6 |
| 3 | 0 | 0 |
| 4 | 0 | 0 |
| 5 | 0 | 0 |

<CCD>

| MODE PIN NO. | REC | PLAY |
|--------------|------|------|
| IC1001 | | |
| 1 | -7.4 | 0 |
| 2 | -7.3 | 14.9 |
| 3 | -7.3 | 14.9 |
| 4 | 0 | 0 |
| 5 | 0 | 14.9 |
| 6 | 0 | 14.9 |
| 7 | 0 | 0 |
| 8 | 0 | 0 |
| 9 | 0 | 0 |
| 10 | 10.7 | 9.9 |
| 11 | 14.9 | 14.9 |
| 12 | 12.6 | 12.3 |
| 13 | 2.5 | 0 |
| 14 | 2.8 | 0 |
| 15 | 0 | 0 |
| 16 | 10.3 | 9.7 |
| 17 | 10.1 | 10.1 |
| 18 | -7.6 | -7.7 |
| 19 | 2.8 | 0 |
| 20 | 2.5 | 0 |
| IC1002 | | |
| 1 | 0 | 0 |
| 2 | 3.3 | 3.3 |
| 3 | 3.3 | 3.3 |
| 4 | 1.7 | 0 |
| 5 | 3.2 | 0 |

| MODE PIN NO. | REC | PLAY |
|--------------|------|------|
| 6 | 0 | 0 |
| 7 | 3.3 | 3.3 |
| 8 | 3.3 | 3.3 |
| 9 | 0.5 | 0 |
| 10 | 0 | 0 |
| 11 | 0 | 0 |
| 12 | 2.6 | 0 |
| 13 | 2.3 | 0 |
| 14 | 6.4 | 6.6 |
| 15 | 3.3 | 3.3 |
| 16 | 2.6 | 0 |
| 17 | 2.5 | 0 |
| 18 | 2.5 | 0 |
| 19 | 3 | 0 |
| 20 | 3.3 | 0 |
| 21 | 0 | 0 |
| 22 | 3.2 | 0 |
| 23 | 1.5 | 0 |
| 24 | 0 | 0 |
| 25 | 1.6 | 0 |
| 26 | 13 | 1.6 |
| 27 | 3.3 | 3.3 |
| 28 | 0 | 0 |
| 29 | 3.3 | 3.3 |
| 30 | 1.5 | 0 |
| 31 | 0.6 | 0 |
| 32 | 3.1 | 3 |
| 33 | 3.1 | 3.1 |
| 34 | 3 | 3 |
| 35 | 3 | 3 |
| 36 | 0 | 0 |
| 37 | 0 | 0 |
| 38 | 0 | 0 |
| 39 | 0 | 0 |
| 40 | -7.3 | 0 |
| 41 | 0 | 14.9 |
| 42 | 14.9 | 14.9 |
| 43 | 0 | 14.9 |
| 44 | -7.3 | 14.9 |
| 45 | -7.6 | -7.6 |
| 46 | -7.3 | 14.9 |
| 47 | -6.9 | 14.9 |
| 48 | 0 | 0 |
| IC1003 | | |
| 1 | 6.4 | 6.4 |
| 2 | 0 | 0 |
| 3 | 6.4 | 6.4 |
| 4 | 0 | 0 |
| 5 | 3.3 | 3.3 |

<MONI REG>

| MODE PIN NO. | REC | PLAY |
|--------------|-----|------|
| IC7202 | | |
| 1 | - | - |
| 2 | - | - |
| 3 | - | - |
| 4 | - | - |
| 5 | - | - |
| 6 | - | - |
| IC7301 | | |
| 1 | 2.2 | 2.2 |
| 2 | 0 | 0 |
| 3 | 2.2 | 2.2 |
| 4 | 4 | 4 |
| 5 | 12 | 12 |
| IC7302 | | |
| 1 | - | - |
| 2 | - | - |
| 3 | - | - |
| 4 | - | - |
| 5 | - | - |
| 6 | - | - |
| 7 | - | - |
| 8 | - | - |
| 9 | - | - |
| 10 | - | - |
| 11 | - | - |
| 12 | - | - |
| 13 | - | - |
| 14 | - | - |
| 15 | - | - |
| 16 | - | - |
| 17 | - | - |
| 18 | - | - |
| 19 | - | - |
| 20 | - | - |
| 21 | - | - |
| 22 | - | - |
| 23 | - | - |
| 24 | - | - |
| 25 | - | - |
| 26 | - | - |
| 27 | - | - |
| 28 | - | - |
| 29 | - | - |
| 30 | - | - |
| 31 | - | - |
| 32 | - | - |
| 33 | - | - |
| 34 | - | - |
| 35 | - | - |
| 36 | - | - |
| 37 | - | - |
| 38 | - | - |
| 39 | - | - |
| 40 | - | - |
| 41 | - | - |
| 42 | - | - |
| 43 | - | - |
| 44 | - | - |
| 45 | - | - |
| 46 | - | - |
| 47 | - | - |
| 48 | - | - |
| 49 | - | - |

| MODE PIN NO. | REC | PLAY |
|--------------|------|------|
| 50 | - | - |
| 51 | - | - |
| 52 | - | - |
| 53 | - | - |
| 54 | - | - |
| 55 | - | - |
| 56 | - | - |
| 57 | - | - |
| 58 | - | - |
| 59 | - | - |
| 60 | - | - |
| 61 | - | - |
| 62 | - | - |
| 63 | - | - |
| 64 | - | - |
| 65 | - | - |
| 66 | - | - |
| 67 | - | - |
| 68 | - | - |
| 69 | - | - |
| 70 | - | - |
| 71 | - | - |
| 72 | - | - |
| Q7201 | | |
| E | - | - |
| C | - | - |
| B | - | - |
| Q7301 | | |
| E | 0 | 0 |
| C | 0 | 0 |
| B | 3 | 3 |
| Q7302 | | |
| E | - | - |
| C | - | - |
| B | - | - |
| Q7303 | | |
| E | 12 | 12 |
| C | 12 | 12 |
| B | 11.3 | 11.3 |
| Q7304 | | |
| 1 | 5 | 5 |
| 2 | 5.5 | 5.5 |
| 3 | 0 | 0 |
| 4 | 6 | 6 |
| 5 | 5.5 | 5.5 |
| 6 | 12 | 5.5 |
| Q7305 | | |
| 1 | 5.5 | 5.5 |
| 2 | 6 | 6 |
| 3 | 0 | 0 |
| 4 | 5.5 | 5.5 |
| 5 | 5.1 | 5 |
| 6 | 12 | 12 |

<DC/DC>

| MODE PIN NO. | REC | PLAY |
|--------------|-----|------|
| Q9006 | | |
| E | 0 | 0 |
| C | 0 | 0 |
| B | 3.3 | 3.3 |
| Q9007 | | |
| E | 6.7 | 6.7 |
| C | 0 | 0 |
| B | 0 | 0 |
| Q9307 | | |
| E | 0 | 0 |
| C | 0 | 0 |
| B | 3.3 | 3.3 |

<VIDEO OUT/ USB/ PRINTER/DC JACK>

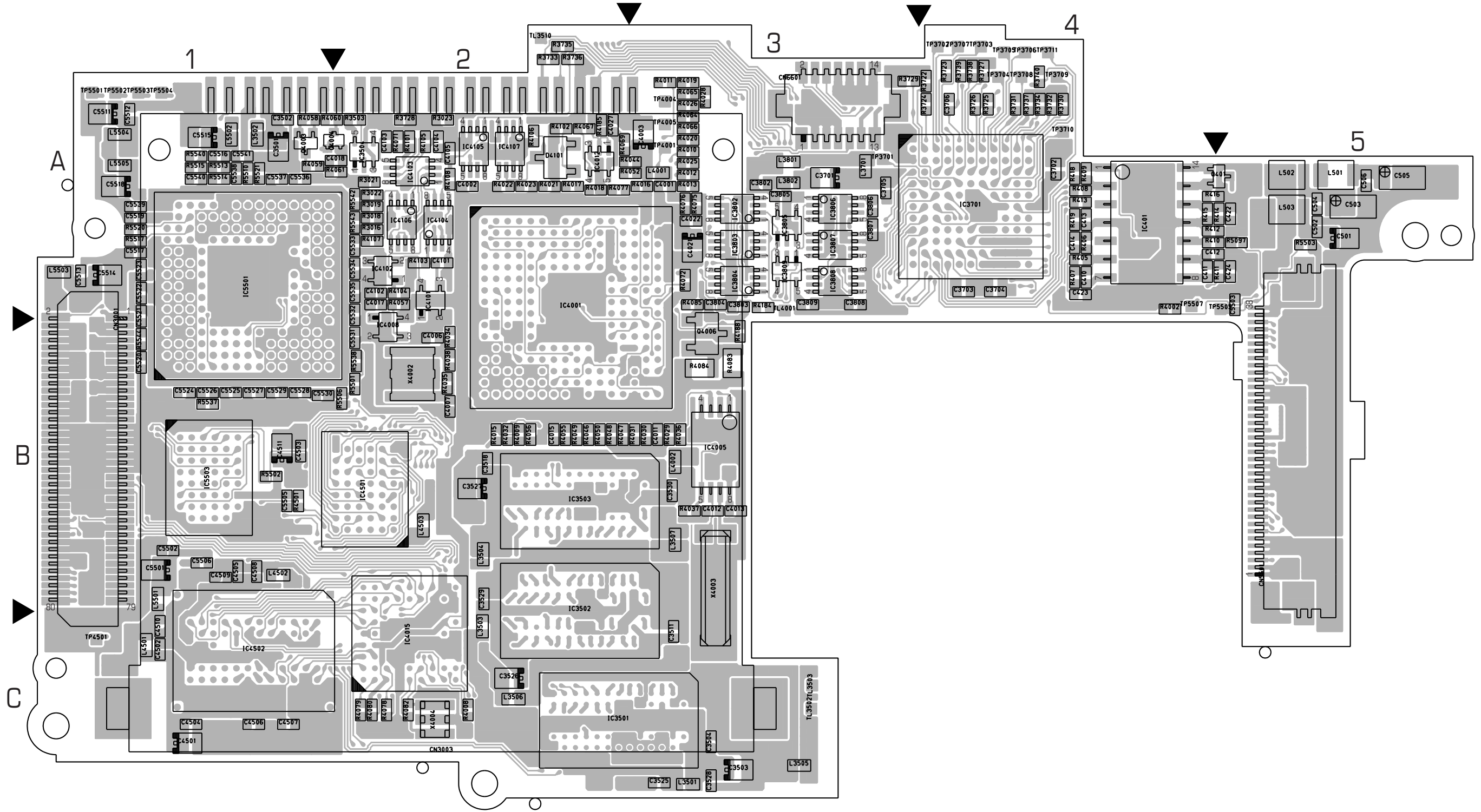
| MODE PIN NO. | REC | PLAY |
|--------------|-----|------|
| IC101 | | |
| 1 | 6 | 1.5 |
| 2 | 0 | 3 |
| 3 | 0 | 1.3 |
| 4 | 2.5 | 1.1 |
| 5 | 0 | 0 |
| 6 | 0 | 0 |
| 7 | 0 | 3.6 |
| 8 | 0 | 0 |
| 9 | 0 | 2.2 |
| 10 | 0 | 2.1 |
| 11 | 0 | 1.4 |
| 12 | 0 | 1.4 |
| 13 | 0 | 6.5 |
| 14 | 0 | 1.9 |
| 15 | 6.5 | 6.6 |
| 16 | 3 | 3 |
| 17 | 0 | 0 |
| 18 | 0 | 3.1 |
| 19 | 0 | 1.8 |
| 20 | 1.8 | 1.8 |
| IC102 | | |
| 1 | 0 | 0 |
| 2 | 0 | 0 |
| 3 | 3.1 | 3.2 |
| 4 | 0 | 0 |
| 5 | 3 | 3 |
| 6 | 0 | 0 |
| 7 | 0 | 0 |
| 8 | 3 | 3 |

<MONITOR BACK LIGHT>

| MODE PIN NO. | REC | PLAY |
|--------------|------|------|
| Q7101 | | |
| E | 0 | 0 |
| C | 6.4 | 6.4 |
| B | 0 | 0 |
| Q7102 | | |
| E | 0 | 0 |
| C | 6.4 | 6.4 |
| B | 0 | 0 |
| Q7103 | | |
| E | 6.5 | 0 |
| C | 6.5 | 6.5 |
| B | 0 | 0 |
| Q7104 | | |
| E | 0 | 0 |
| C | 0 | 0 |
| B | 0.6 | 0.6 |
| Q7105 | | |
| E | 0 | 0 |
| C | 0 | 0 |
| B | -0.5 | -0.5 |
| Q7106 | | |
| E | 0 | 0 |
| C | 0.6 | 0.6 |
| B | 0 | 0 |

3.14 MAIN CIRCUIT BOARD

COMPONENT SIDE (A)



01 MAIN PWB YB10282-01-05

COMPONENT PARTS LOCATION GUIDE <MAIN > YB10282-01-05

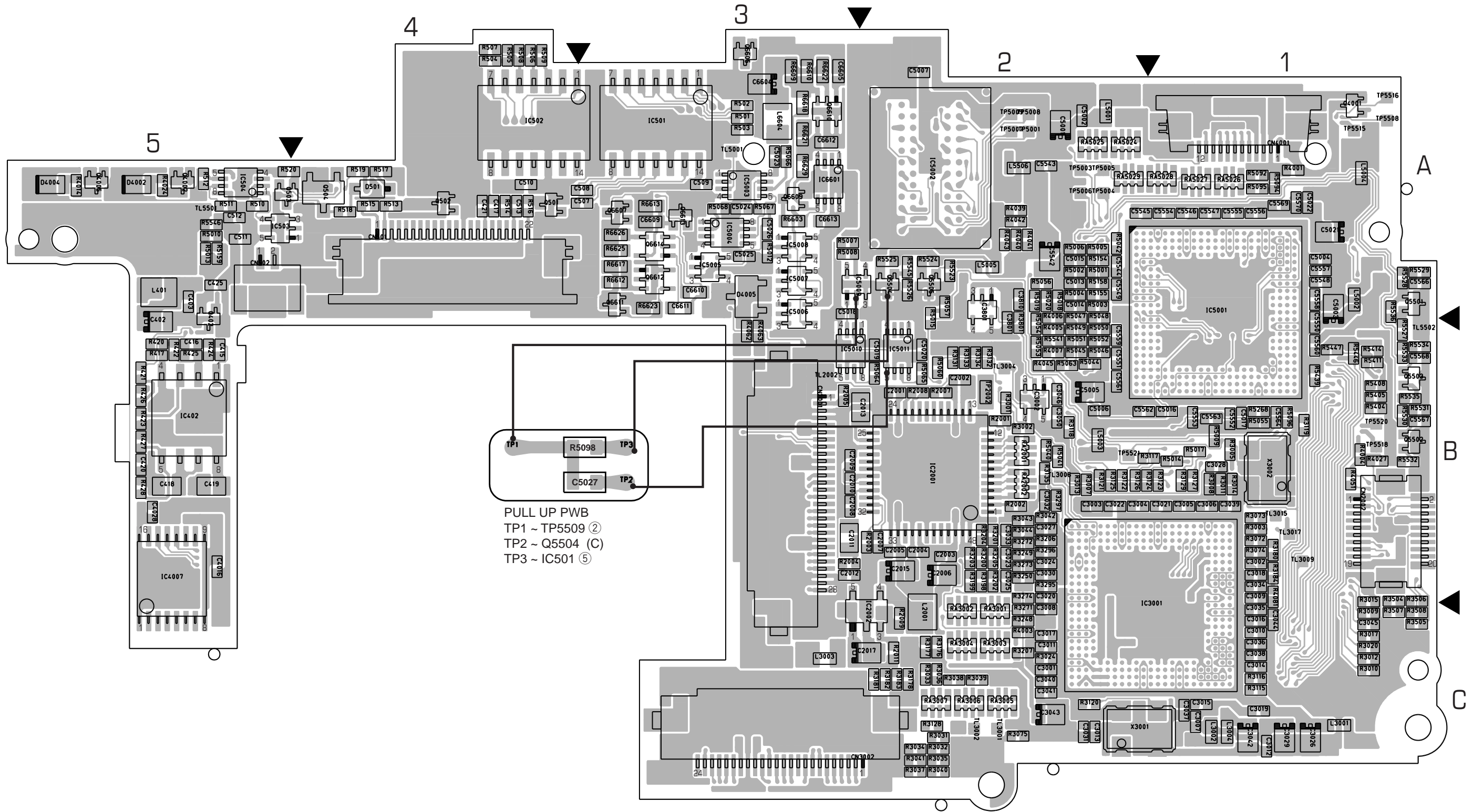
| REF.NO. | LOCATION | REF.NO. | LOCATION | REF.NO. | LOCATION | REF.NO. | LOCATION | REF.NO. | LOCATION |
|------------------|----------|---------|----------|------------------|----------|-------------------|----------|---------|----------|
| CAPACITOR | | C3044 | B C 1C | C5506 | A C 1B | IC3503 | A C 2B | Q4004 | A C 2A |
| C402 | B C 5B | C3045 | B C 1C | C5511 | A C 1A | IC3504 | A C 2A | Q4005 | B C 5A |
| C403 | B C 5A | C3046 | B C 2B | C5512 | A C 1A | IC3701 | A C 4A | Q4006 | A C 3B |
| C410 | A C 4A | C3050 | B C 2B | C5513 | A C 1A | IC3801 | B C 2A | Q5501 | B C 1A |
| C411 | A C 5A | C3501 | A C 1A | C5514 | A C 1A | IC3802 | A C 3A | Q5502 | B C 1B |
| C412 | A C 5A | C3502 | A C 1A | C5515 | A C 1A | IC3803 | A C 3A | Q5503 | B C 1B |
| C413 | A C 4A | C3503 | A C 3C | C5516 | A C 1A | IC3804 | A C 3A | Q5504 | B C 2A |
| C414 | A C 4A | C3504 | A C 3C | C5517 | A C 1A | IC3805 | A C 3A | Q5505 | B C 2A |
| C415 | B C 5B | C3511 | A C 3C | C5518 | A C 1A | IC3806 | A C 3A | Q6605 | B C 3A |
| C416 | B C 5B | C3518 | A C 2B | C5519 | A C 1A | IC3807 | A C 3A | Q6607 | B C 3A |
| C417 | B C 4A | C3525 | A C 3C | C5520 | A C 1B | IC3808 | A C 3A | Q6609 | B C 3A |
| C418 | B C 5B | C3525 | A C 4C | C5521 | A C 1B | IC3809 | A C 3A | Q6610 | B C 3A |
| C419 | B C 5B | C3526 | A C 2C | C5522 | A C 1A | IC4001 | A C 2A | Q6611 | B C 3A |
| C420 | B C 5B | C3527 | A C 2B | C5523 | A C 1A | IC4005 | A C 3B | Q6612 | B C 3A |
| C421 | B C 4A | C3528 | A C 3C | C5524 | A C 1B | IC4007 | B C 5B | Q6613 | B C 3A |
| C422 | A C 5A | C3528 | A C 4C | C5525 | A C 1B | IC4008 | A C 2B | Q6614 | B C 3A |
| C423 | A C 4A | C3529 | A C 2B | C5526 | A C 1B | IC4012 | A C 2A | | |
| C424 | A C 5A | C3530 | A C 3B | C5527 | A C 1B | IC4015 | A C 2C | | |
| C425 | B C 5A | C3701 | A C 3A | C5528 | A C 1B | IC4101 | A C 2A | | |
| C501 | A C 5A | C3702 | A C 4A | C5529 | A C 1B | IC4102 | A C 2A | | |
| C502 | A C 5A | C3703 | A C 4A | C5530 | A C 1B | IC4103 | A C 2A | | |
| C503 | A C 5A | C3704 | A C 4A | C5531 | A C 2B | IC4104 | A C 2A | | |
| C504 | A C 5A | C3705 | A C 3A | C5532 | A C 2B | IC4105 | A C 2A | | |
| C505 | A C 5A | C3706 | A C 4A | C5533 | A C 2A | IC4106 | A C 2A | | |
| C506 | A C 5A | C3801 | B C 2B | C5534 | A C 2A | IC4107 | A C 2A | | |
| C507 | B C 3A | C3802 | A C 3A | C5535 | A C 2A | IC4501 | A C 2B | | |
| C508 | B C 3A | C3803 | A C 3A | C5536 | A C 1A | IC4502 | A C 1C | | |
| C509 | B C 3A | C3804 | A C 3A | C5537 | A C 1A | IC5001 | B C 1A | | |
| C510 | B C 4A | C3805 | A C 3A | C5538 | A C 1A | IC5002 | B C 2A | | |
| C511 | B C 5A | C3806 | A C 3A | C5539 | A C 1A | IC5003 | B C 3A | | |
| C512 | B C 5A | C3807 | A C 3A | C5540 | A C 1A | IC5004 | B C 3A | | |
| C513 | B C 4A | C3808 | A C 3A | C5541 | A C 1A | IC5005 | B C 3A | | |
| C2001 | B C 2B | C3809 | A C 3A | C5542 | B C 2A | IC5006 | B C 3A | | |
| C2002 | B C 2B | C3810 | B C 2A | C5543 | B C 2A | IC5007 | B C 3A | | |
| C2003 | B C 2B | C4001 | A C 3A | C5544 | B C 2A | IC5008 | B C 3A | | |
| C2004 | B C 2B | C4002 | A C 2A | C5545 | B C 2A | IC5009 | B C 3A | | |
| C2005 | B C 2B | C4003 | A C 3A | C5546 | B C 1A | IC5010 | B C 3B | | |
| C2006 | B C 2B | C4006 | A C 2B | C5547 | B C 1A | IC5011 | B C 2B | | |
| C2007 | B C 2B | C4007 | A C 2B | C5548 | B C 1A | IC5501 | A C 1A | | |
| C2008 | B C 3B | C4011 | A C 3B | C5549 | B C 2A | IC5503 | A C 1B | | |
| C2009 | B C 3B | C4012 | A C 3B | C5550 | B C 1B | IC6601 | B C 3A | | |
| C2010 | B C 3B | C4013 | A C 3B | C5551 | B C 2B | COIL | | | |
| C2011 | B C 3B | C4015 | A C 2B | C5552 | B C 1B | L401 | B C 5A | | |
| C2012 | B C 3B | C4016 | B C 5B | C5553 | B C 1B | L501 | A C 5A | | |
| C2013 | B C 3B | C4017 | A C 2A | C5554 | B C 1A | L502 | A C 5A | | |
| C2015 | B C 2B | C4018 | A C 2A | C5555 | B C 1A | L503 | A C 5A | | |
| C2017 | B C 2C | C4021 | A C 3A | C5556 | B C 1A | L2001 | B C 2C | | |
| C3001 | B C 2C | C4022 | A C 3A | C5557 | B C 1A | L3001 | B C 1C | | |
| C3002 | B C 1B | C4027 | A C 2A | C5558 | B C 1A | L3002 | B C 1C | | |
| C3003 | B C 2B | C4028 | B C 5B | C5559 | B C 2B | L3003 | B C 3C | | |
| C3004 | B C 2B | C4101 | A C 2A | C5560 | B C 1B | L3004 | B C 1C | | |
| C3005 | B C 1B | C4102 | A C 2A | C5561 | B C 2B | L3004 | B C 1C | | |
| C3006 | B C 1B | C4103 | A C 2A | C5562 | B C 2B | L3501 | A C 3C | | |
| C3007 | B C 1C | C4104 | A C 2A | C5563 | B C 1B | L3501 | A C 4C | | |
| C3008 | B C 2C | C4105 | A C 2A | C5564 | B C 1B | L3502 | A C 1A | | |
| C3009 | B C 1B | C4501 | A C 1C | C5566 | B C 1A | L3503 | A C 2C | | |
| C3010 | B C 1C | C4502 | A C 1C | C5567 | B C 1B | L3504 | A C 2B | | |
| C3011 | B C 2C | C4503 | A C 1B | C5568 | B C 1B | L3505 | A C 3C | | |
| C3012 | B C 1C | C4504 | A C 1C | C5569 | B C 1A | L3506 | A C 2C | | |
| C3013 | B C 2C | C4505 | A C 1B | C5570 | B C 1A | L3507 | A C 3B | | |
| C3014 | B C 1C | C4506 | A C 1C | C6604 | B C 3A | L3701 | A C 3A | | |
| C3015 | B C 1C | C4507 | A C 1C | C6605 | B C 3A | L3801 | A C 3A | | |
| C3016 | B C 1C | C4508 | A C 1B | C6609 | B C 3A | L3802 | A C 3A | | |
| C3017 | B C 2C | C4509 | A C 1B | C6610 | B C 3A | L4001 | A C 3A | | |
| C3018 | B C 1B | C4510 | A C 1C | C6611 | B C 3A | L4002 | A C 3B | | |
| C3019 | B C 1C | C4511 | A C 1B | C6612 | B C 3A | L4501 | A C 1C | | |
| C3020 | B C 2B | C5001 | B C 2A | C6613 | B C 3A | L4502 | A C 1B | | |
| C3021 | B C 1B | C5002 | B C 2A | CONNECTOR | | | L4503 | A C 2B | |
| C3022 | B C 2B | C5003 | B C 1A | CN501 | B C 4A | L5001 | B C 2A | | |
| C3023 | B C 2B | C5004 | B C 1A | CN502 | B C 5A | L5002 | B C 1A | | |
| C3024 | B C 2B | C5005 | B C 2B | DIODE | | | L5003 | B C 2B | |
| C3025 | B C 2B | C5006 | B C 2B | D501 | B C 4A | L5004 | B C 1A | | |
| C3026 | B C 1C | C5007 | B C 2A | D4002 | B C 5A | L5005 | B C 2A | | |
| C3027 | B C 2B | C5013 | B C 2A | D4004 | B C 5A | L5501 | A C 1B | | |
| C3028 | B C 1B | C5014 | B C 2A | D4005 | B C 3A | L5502 | A C 1A | | |
| C3029 | B C 1C | C5015 | B C 2A | D4101 | A C 2A | L5503 | A C 1A | | |
| C3030 | B C 2B | C5016 | B C 1B | IC | | | L5504 | A C 1A | |
| C3031 | B C 2C | C5017 | B C 1B | IC401 | A C 4A | L5505 | A C 1A | | |
| C3032 | B C 2B | C5018 | B C 3A | IC402 | B C 5B | L5506 | B C 2A | | |
| C3033 | B C 2B | C5019 | B C 2B | IC501 | B C 3A | L6604 | B C 3A | | |
| C3034 | B C 1B | C5020 | B C 2B | IC502 | B C 4A | TRANSISTOR | | | |
| C3035 | B C 1C | C5021 | B C 1A | IC503 | B C 5A | Q401 | A C 5A | | |
| C3036 | B C 1C | C5022 | B C 1A | IC504 | B C 5A | Q402 | B C 5B | | |
| C3037 | B C 1C | C5023 | B C 3A | IC2001 | B C 2B | Q501 | B C 4A | | |
| C3038 | B C 1C | C5024 | B C 3A | IC2002 | B C 2C | Q502 | B C 4A | | |
| C3039 | B C 1B | C5025 | B C 3A | IC3001 | B C 1C | Q503 | B C 5A | | |
| C3040 | B C 2C | C5026 | B C 3A | IC3002 | B C 2B | Q504 | B C 4A | | |
| C3041 | B C 2C | C5501 | A C 1B | IC3501 | A C 3C | Q4001 | B C 1A | | |
| C3042 | B C 1C | C5502 | A C 1B | IC3502 | A C 2C | Q4002 | B C 5A | | |
| C3043 | B C 2C | C5503 | A C 5A | IC3502 | A C 2C | Q4003 | A C 1A | | |
| | | C5505 | A C 1B | | | | | | |

COMPONENT PARTS LOCATION GUIDE <MAIN > YB10282-01-05

| REF.NO. | LOCATION | REF.NO. | LOCATION | REF.NO. | LOCATION | REF.NO. | LOCATION | REF.NO. | LOCATION |
|-----------------|----------|---------|----------|---------|----------|---------|----------|-------------------|----------|
| RESISTOR | | | | | | | | | |
| R405 | A C 4A | R3072 | B C 1B | R4013 | A C 3A | R5015 | B C 2B | R6625 | B C 3A |
| R406 | A C 4A | R3073 | B C 1B | R4014 | B C 5A | R5017 | B C 1B | R6626 | B C 3A |
| R407 | A C 4A | R3074 | B C 1C | R4015 | A C 2B | R5018 | B C 2A | R6629 | B C 3A |
| R408 | A C 4A | R3075 | B C 2C | R4016 | A C 3A | R5019 | B C 2A | RA2001 | B C 2B |
| R409 | A C 4A | R3115 | B C 1C | R4017 | A C 2A | R5020 | B C 2A | RA2002 | B C 2B |
| R410 | A C 5A | R3116 | B C 1C | R4018 | A C 2A | R5040 | B C 2B | RA3001 | B C 2C |
| R411 | A C 5A | R3117 | B C 2B | R4019 | A C 3A | R5041 | B C 2B | RA3002 | B C 2C |
| R412 | A C 5A | R3118 | B C 2B | R4020 | A C 3A | R5042 | B C 2A | RA3003 | B C 2C |
| R413 | A C 4A | R3119 | B C 1B | R4021 | A C 2A | R5044 | B C 2B | RA3004 | B C 2C |
| R414 | A C 5A | R3120 | B C 2C | R4022 | A C 2A | R5045 | B C 2B | RA3005 | B C 2C |
| R415 | A C 5A | R3121 | B C 2B | R4023 | A C 2A | R5046 | B C 2B | RA3006 | B C 2C |
| R416 | A C 5A | R3122 | B C 2B | R4024 | B C 5A | R5047 | B C 2B | RA3007 | B C 2C |
| R417 | B C 5B | R3123 | B C 1B | R4025 | A C 3A | R5048 | B C 2B | RA5024 | B C 2A |
| R418 | A C 4A | R3124 | B C 2B | R4026 | A C 3A | R5049 | B C 2B | RA5025 | B C 2A |
| R419 | A C 4A | R3125 | B C 2B | R4027 | B C 1B | R5050 | B C 2B | RA5026 | B C 1A |
| R420 | B C 5B | R3126 | B C 2B | R4028 | A C 3A | R5051 | B C 2B | RA5027 | B C 1A |
| R421 | B C 5B | R3127 | B C 1B | R4029 | A C 3B | R5052 | B C 2B | RA5028 | B C 1A |
| R422 | B C 5B | R3128 | B C 2C | R4030 | A C 3B | R5053 | B C 2B | RA5029 | B C 2A |
| R423 | B C 5B | R3129 | B C 1B | R4031 | A C 3B | R5054 | B C 2B | TEST POINT | |
| R424 | B C 5B | R3131 | B C 2B | R4032 | A C 2B | R5055 | B C 1B | TP2002 | B C 2B |
| R425 | B C 5B | R3132 | B C 2B | R4033 | A C 2B | R5056 | B C 2A | TP3701 | A C 3A |
| R426 | B C 5B | R3133 | B C 2B | R4034 | A C 2B | R5057 | B C 2A | TP3702 | A C 4A |
| R427 | B C 5B | R3134 | B C 2B | R4035 | A C 2B | R5060 | B C 2B | TP3703 | A C 4A |
| R428 | B C 5B | R3135 | B C 2B | R4036 | A C 3B | R5063 | B C 2B | TP3704 | A C 4A |
| R501 | B C 3A | R3176 | B C 2C | R4038 | A C 2B | R5064 | B C 2B | TP3705 | A C 4A |
| R502 | B C 3A | R3177 | B C 2C | R4039 | B C 2A | R5065 | B C 2B | TP3706 | A C 4A |
| R503 | B C 3A | R3178 | B C 2C | R4040 | B C 2A | R5066 | B C 3A | TP3707 | A C 4A |
| R504 | B C 4A | R3180 | B C 1B | R4041 | B C 2A | R5067 | B C 3A | TP3708 | A C 4A |
| R505 | B C 4A | R3181 | B C 2C | R4042 | B C 2A | R5068 | B C 3A | TP3709 | A C 4A |
| R506 | B C 4A | R3182 | B C 2C | R4043 | B C 2A | R5092 | B C 1A | TP3710 | A C 4A |
| R507 | B C 4A | R3183 | B C 2C | R4044 | A C 2B | R5094 | B C 1A | TP3711 | A C 4A |
| R508 | B C 4A | R3184 | B C 1B | R4045 | A C 3A | R5095 | B C 1A | TP4001 | A C 3A |
| R509 | B C 4A | R3198 | B C 2B | R4046 | A C 2B | R5096 | B C 1B | TP4004 | A C 3A |
| R510 | B C 5A | R3199 | B C 2B | R4047 | A C 3B | R5097 | A C 5A | TP4005 | A C 3A |
| R511 | B C 5A | R3200 | B C 2B | R4048 | A C 2B | R5154 | B C 2A | TP4501 | A C 1C |
| R512 | B C 5A | R3201 | B C 2B | R4049 | A C 2B | R5155 | B C 2A | TP5001 | B C 2A |
| R513 | B C 4A | R3202 | B C 2B | R4050 | A C 2B | R5158 | B C 2A | TP5003 | B C 2A |
| R514 | B C 4A | R3203 | B C 2B | R4051 | B C 1B | R5159 | B C 5A | TP5004 | B C 2A |
| R515 | B C 4A | R3204 | B C 2B | R4052 | A C 3A | R5268 | B C 1B | TP5005 | B C 2A |
| R516 | B C 4A | R3205 | B C 2B | R4055 | A C 2B | R5404 | B C 1B | TP5006 | B C 2A |
| R517 | B C 4A | R3206 | B C 2B | R4056 | A C 2B | R5405 | B C 1B | TP5007 | B C 2A |
| R518 | B C 4A | R3207 | B C 2C | R4057 | A C 2A | R5408 | B C 1B | TP5008 | B C 2A |
| R519 | B C 4A | R3248 | B C 2C | R4058 | A C 1A | R5411 | B C 1B | TP5009 | B C 2A |
| R520 | B C 4A | R3249 | B C 2B | R4059 | A C 1A | R5414 | B C 1B | TP5501 | A C 1A |
| R2001 | B C 2B | R3250 | B C 2B | R4060 | A C 2A | R5439 | B C 1B | TP5502 | A C 1A |
| R2002 | B C 2B | R3271 | B C 2C | R4061 | A C 2A | R5446 | B C 1B | TP5503 | A C 1A |
| R2003 | B C 2B | R3272 | B C 2B | R4062 | B C 3B | R5447 | B C 1B | TP5504 | A C 1A |
| R2004 | B C 3B | R3273 | B C 2B | R4063 | B C 3B | R5501 | A C 2B | TP5505 | A C 5A |
| R2005 | B C 3B | R3274 | B C 2B | R4064 | A C 3A | R5502 | A C 1B | TP5507 | A C 5A |
| R2007 | B C 2B | R3295 | B C 2B | R4065 | A C 3A | R5503 | A C 5A | TP5508 | B C 1A |
| R2008 | B C 2B | R3296 | B C 2B | R4066 | A C 3A | R5506 | A C 2B | TP5515 | B C 1A |
| R2009 | B C 2C | R3297 | B C 2B | R4067 | A C 2A | R5510 | A C 1A | TP5516 | B C 1A |
| R2011 | B C 2C | R3503 | A C 2A | R4069 | A C 3A | R5513 | A C 1A | TP5518 | B C 1B |
| R3001 | B C 2B | R3504 | B C 1B | R4071 | A C 2A | R5514 | A C 1A | TP5520 | B C 1B |
| R3002 | B C 2B | R3505 | B C 1C | R4072 | A C 3A | R5515 | A C 1A | TP5521 | B C 2B |
| R3003 | B C 1B | R3506 | B C 1B | R4075 | A C 3A | R5517 | A C 1A | S3001 | A D 18C |
| R3005 | B C 2B | R3507 | B C 1C | R4076 | A C 3A | R5520 | A C 1A | S3002 | A D 18F |
| R3007 | B C 2B | R3508 | B C 1C | R4077 | A C 3A | R5521 | A C 1A | S7001 | A D 22B |
| R3008 | B C 1B | R3722 | A C 4A | R4078 | A C 2C | R5523 | B C 2A | S7002 | A D 18B |
| R3009 | B C 1C | R3723 | A C 4A | R4079 | A C 2C | R5524 | B C 2A | S7008 | A D 5B |
| R3010 | B C 1C | R3724 | A C 4A | R4080 | A C 2C | R5525 | B C 2A | S7010 | A D 4B |
| R3011 | B C 1B | R3725 | A C 4A | R4081 | B C 1B | R5526 | B C 2A | S7011 | A D 4B |
| R3012 | B C 1C | R3726 | A C 4A | R4082 | A C 2C | R5527 | B C 1B | S7012 | A D 3B |
| R3013 | B C 2B | R3727 | A C 4A | R4083 | A C 3B | R5528 | B C 1A | S7013 | A D 2B |
| R3014 | B C 1B | R3728 | A C 2A | R4084 | A C 3B | R5529 | B C 1A | S7014 | A D 2B |
| R3015 | B C 1B | R3729 | A C 4A | R4085 | A C 3A | R5530 | B C 1B | S7015 | A D 1B |
| R3016 | A C 2A | R3730 | A C 4A | R4101 | A C 2A | R5531 | B C 1B | S7016 | A D 17B |
| R3017 | B C 1C | R3731 | A C 4A | R4102 | A C 2A | R5532 | B C 1B | S7021 | A D 20C |
| R3018 | A C 2A | R3732 | A C 4A | R4103 | A C 2A | R5533 | B C 1B | OTHER | |
| R3019 | A C 2A | R3733 | A C 2A | R4104 | A C 2A | R5534 | B C 1B | TL2002 | B C 3B |
| R3020 | B C 1C | R3734 | A C 4A | R4105 | A C 2A | R5535 | B C 1A | TL3001 | B C 2C |
| R3021 | A C 2A | R3735 | A C 2A | R4106 | A C 2A | R5536 | B C 1A | TL3002 | B C 2C |
| R3022 | A C 2A | R3736 | A C 2A | R4107 | A C 2A | R5537 | A C 1B | TL3004 | B C 2B |
| R3023 | A C 2A | R3737 | A C 4A | R4108 | A C 2A | R5538 | A C 2B | TL3006 | B C 2B |
| R3024 | B C 2C | R3738 | A C 4A | R4184 | A C 3A | R5540 | A C 1A | TL3009 | B C 1B |
| R3031 | B C 2C | R3739 | A C 4A | R4185 | A C 2A | R5541 | B C 2B | TL3015 | B C 1B |
| R3032 | B C 2C | R3740 | A C 4A | R4188 | A C 3B | R5542 | A C 2A | TL3017 | B C 1B |
| R3033 | B C 2C | R3801 | B C 2B | R4501 | A C 1B | R5543 | A C 2A | TL3502 | A C 3C |
| R3034 | B C 2C | R4001 | A C 1A | R5001 | B C 2A | R5544 | A C 1B | TL3503 | A C 3C |
| R3035 | B C 2C | R4002 | A C 4A | R5002 | B C 2A | R5545 | B C 2A | TL3510 | A C 2A |
| R3036 | B C 2C | R4003 | B C 2C | R5003 | B C 2A | R5546 | B C 5A | TL4001 | A C 3A |
| R3037 | B C 2C | R4004 | B C 1B | R5004 | B C 2A | R6603 | B C 3A | TL5001 | B C 3A |
| R3038 | B C 2C | R4005 | B C 2B | R5005 | B C 2A | R6609 | B C 3A | TL5501 | B C 5A |
| R3039 | B C 2C | R4006 | B C 2B | R5006 | B C 2A | R6610 | B C 3A | TL5502 | B C 1B |
| R3040 | B C 2C | R4007 | B C 2B | R5007 | B C 3A | R6612 | B C 3A | TM1 | A C 5A |
| R3041 | B C 2C | R4008 | A C 2C | R5008 | B C 3A | R6613 | B C 3A | X3001 | B C 2C |
| R3042 | B C 2B | R4009 | A C 2B | R5009 | B C 1B | R6617 | B C 3A | X3002 | B C 1B |
| R3043 | B C 2B | R4010 | A C 3A | R5010 | B C 5A | R6618 | B C 3A | X4002 | A C 2B |
| R3044 | B C 2B | R4011 | A C 3A | R5012 | B C 3A | R6621 | B C 3A | X4003 | A C 3B |
| | | R4012 | A C 3A | R5013 | B C 5A | R6622 | B C 3A | X4004 | A C 2C |
| | | | | R5014 | B C 1B | R6623 | B C 3A | | |

MAIN CIRCUIT BOARD

FOIL SIDE (B)

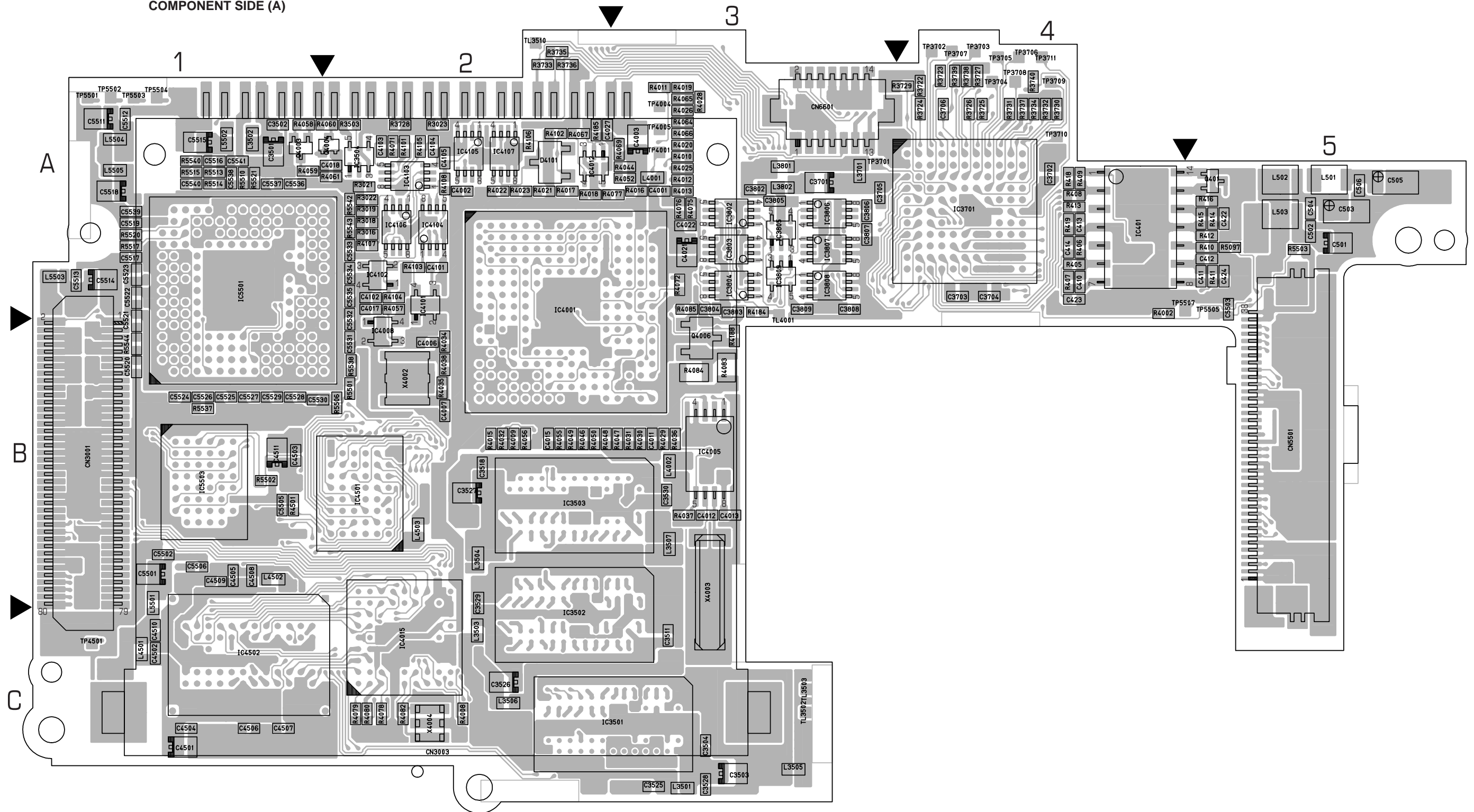


PULL UP PWB
 TP1 ~ TP5509 ②
 TP2 ~ Q5504 (C)
 TP3 ~ IC501 ⑤

01 MAIN PWB YB10282-01-05

3.15 MAIN CIRCUIT BOARD

COMPONENT SIDE (A)



01 MAIN PWB YB10282-01-06

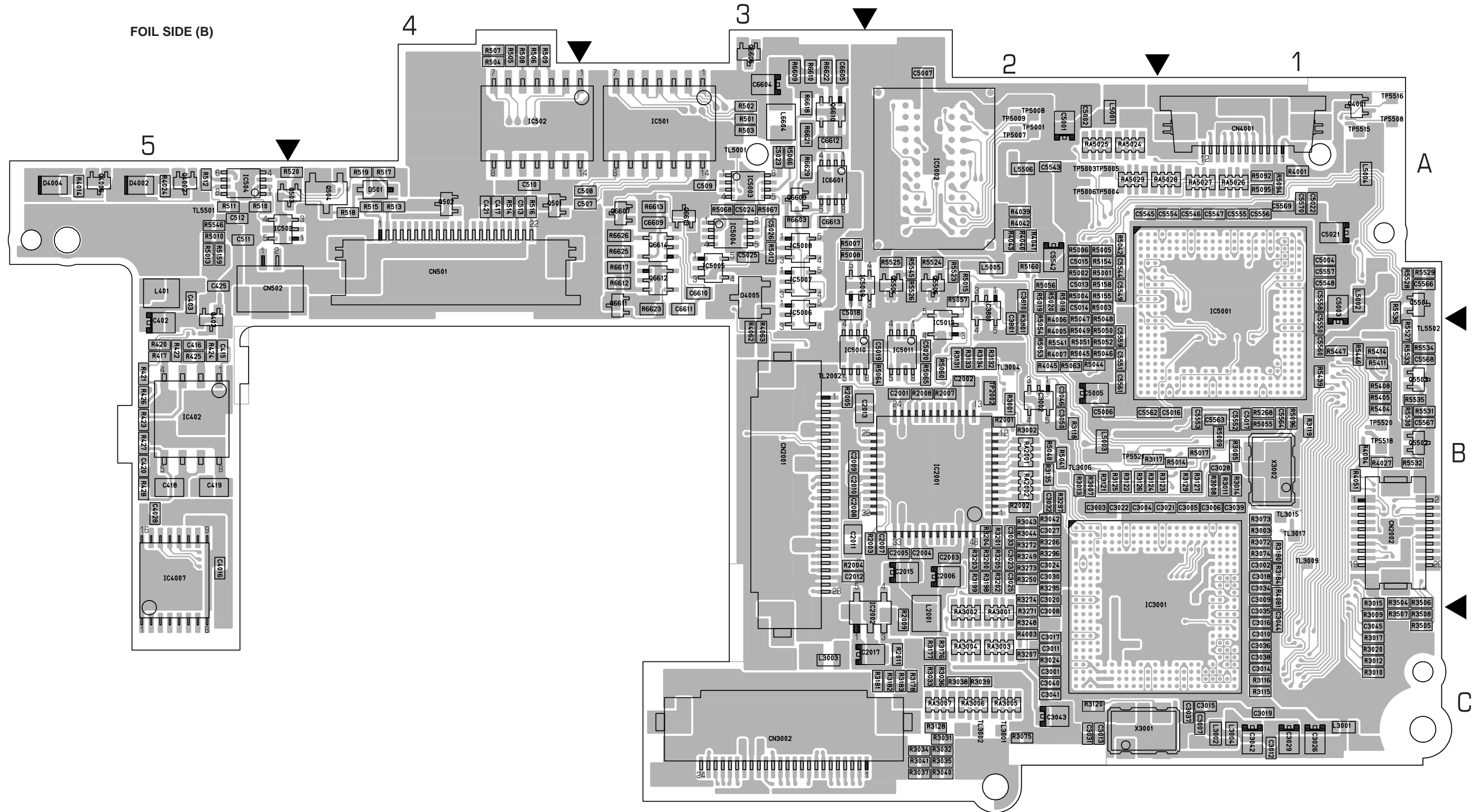
COMPONENT PARTS LOCATION GUIDE <MAIN > YB10282-01-06

| REF.NO. | LOCATION | REF.NO. | LOCATION | REF.NO. | LOCATION | REF.NO. | LOCATION | REF.NO. | LOCATION |
|------------------|----------|---------|----------|------------------|----------|-------------------|----------|---------|----------|
| CAPACITOR | | | | | | | | | |
| C402 | B C 5B | C3044 | B C 1C | C5512 | A C 1A | IC2001 | B C 2B | Q4004 | A C 2A |
| C403 | B C 5A | C3045 | B C 1C | C5513 | A C 1A | IC2002 | B C 2C | Q4005 | B C 5A |
| C410 | A C 4A | C3046 | B C 2B | C5514 | A C 1A | IC3001 | B C 1C | Q4006 | A C 3B |
| C411 | A C 5A | C3050 | B C 2B | C5515 | A C 1A | IC3002 | B C 2B | Q401 | A C 5A |
| C412 | A C 5A | C3501 | A C 1A | C5516 | A C 1A | IC3501 | A C 2C | Q402 | B C 5B |
| C413 | A C 4A | C3502 | A C 1A | C5517 | A C 1A | IC3502 | A C 2C | Q501 | B C 4A |
| C414 | A C 4A | C3503 | A C 3C | C5518 | A C 1A | IC3503 | A C 2B | Q502 | B C 4A |
| C415 | B C 5B | C3504 | A C 3C | C5519 | A C 1A | IC3504 | A C 2A | Q503 | B C 4A |
| C416 | B C 5B | C3511 | A C 3C | C5520 | A C 1B | IC3701 | A C 4A | Q504 | B C 4A |
| C417 | B C 4A | C3518 | A C 2B | C5521 | A C 1B | IC3801 | B C 2A | Q5501 | B C 1A |
| C418 | B C 5B | C3525 | A C 3C | C5522 | A C 1A | IC3802 | A C 3A | Q5502 | B C 1B |
| C419 | B C 5B | C3526 | A C 2C | C5523 | A C 1A | IC3803 | A C 3A | Q5503 | B C 1B |
| C420 | B C 5B | C3527 | A C 2B | C5524 | A C 1B | IC3804 | A C 3A | Q5504 | B C 2A |
| C421 | B C 4A | C3528 | A C 3C | C5525 | A C 1B | IC3805 | A C 3A | Q5505 | B C 2A |
| C422 | A C 5A | C3529 | A C 2B | C5526 | A C 1B | IC3806 | A C 3A | Q6605 | B C 3A |
| C423 | A C 4A | C3530 | A C 3B | C5527 | A C 1B | IC3807 | A C 3A | Q6607 | B C 3A |
| C424 | A C 5A | C3701 | A C 3A | C5528 | A C 1B | IC3808 | A C 3A | Q6609 | B C 3A |
| C425 | B C 5A | C3702 | A C 4A | C5529 | A C 1B | IC3809 | A C 3A | Q6610 | B C 3A |
| C501 | A C 5A | C3703 | A C 4A | C5530 | A C 1B | IC4001 | A C 2A | Q6611 | B C 3A |
| C502 | A C 5A | C3704 | A C 4A | C5531 | A C 2B | IC4005 | A C 3B | Q6612 | B C 3A |
| C503 | A C 5A | C3705 | A C 3A | C5532 | A C 2B | IC4007 | B C 5B | Q6613 | B C 3A |
| C504 | A C 5A | C3706 | A C 4A | C5533 | A C 2A | IC4008 | A C 2B | Q6614 | B C 3A |
| C505 | A C 5A | C3801 | B C 2B | C5534 | A C 2A | IC4012 | A C 2A | | |
| C506 | A C 5A | C3802 | A C 3A | C5535 | A C 2A | IC4015 | A C 2C | | |
| C507 | B C 3A | C3803 | A C 3A | C5536 | A C 1A | IC4101 | A C 2A | | |
| C508 | B C 3A | C3804 | A C 3A | C5537 | A C 1A | IC4102 | A C 2A | | |
| C509 | B C 3A | C3805 | A C 3A | C5538 | A C 1A | IC4103 | A C 2A | | |
| C510 | B C 4A | C3806 | A C 3A | C5539 | A C 1A | IC4104 | A C 2A | | |
| C511 | B C 5A | C3807 | A C 3A | C5540 | A C 1A | IC4105 | A C 2A | | |
| C512 | B C 5A | C3808 | A C 3A | C5541 | A C 1A | IC4106 | A C 2A | | |
| C513 | B C 4A | C3809 | A C 3A | C5542 | B C 2A | IC4107 | A C 2A | | |
| C2001 | B C 2B | C3810 | B C 2A | C5543 | B C 2A | IC4501 | A C 2B | | |
| C2002 | B C 2B | C4001 | A C 3A | C5544 | B C 2A | IC4502 | A C 1C | | |
| C2003 | B C 2B | C4002 | A C 2A | C5545 | B C 2A | IC5001 | B C 1A | | |
| C2004 | B C 2B | C4003 | A C 3A | C5546 | B C 1A | IC5002 | B C 2A | | |
| C2005 | B C 2B | C4006 | A C 2B | C5547 | B C 1A | IC5003 | B C 3A | | |
| C2006 | B C 2B | C4007 | A C 2B | C5548 | B C 1A | IC5004 | B C 3A | | |
| C2007 | B C 2B | C4011 | A C 3B | C5549 | B C 2A | IC5005 | B C 3A | | |
| C2008 | B C 3B | C4012 | A C 3B | C5550 | B C 1B | IC5006 | B C 3A | | |
| C2009 | B C 3B | C4013 | A C 3B | C5551 | B C 2B | IC5007 | B C 3A | | |
| C2010 | B C 3B | C4015 | A C 2B | C5552 | B C 1B | IC5008 | B C 3A | | |
| C2011 | B C 3B | C4016 | B C 5B | C5553 | B C 1B | IC5009 | B C 3A | | |
| C2012 | B C 3B | C4017 | A C 2A | C5554 | B C 1A | IC5010 | B C 3B | | |
| C2013 | B C 2B | C4018 | A C 2A | C5555 | B C 1A | IC5011 | B C 2B | | |
| C2015 | B C 2B | C4021 | A C 3A | C5556 | B C 1A | IC5012 | B C 2B | | |
| C2017 | B C 2C | C4022 | A C 3A | C5557 | B C 1A | IC5501 | A C 1A | | |
| C3001 | B C 2C | C4027 | A C 2A | C5558 | B C 1A | IC5503 | A C 1B | | |
| C3002 | B C 1B | C4028 | B C 5B | C5559 | B C 2B | IC6601 | B C 3A | | |
| C3003 | B C 2B | C4101 | A C 2A | C5560 | B C 1B | COIL | | | |
| C3004 | B C 2B | C4102 | A C 2A | C5561 | B C 2B | L401 | B C 5A | | |
| C3006 | B C 1B | C4103 | A C 2A | C5562 | B C 2B | L501 | A C 5A | | |
| C3007 | B C 1C | C4104 | A C 2A | C5563 | B C 1B | L502 | A C 5A | | |
| C3008 | B C 2C | C4105 | A C 2A | C5564 | B C 1B | L503 | A C 5A | | |
| C3009 | B C 1B | C4501 | A C 1C | C5566 | B C 1A | L2001 | B C 2C | | |
| C3010 | B C 1C | C4502 | A C 1C | C5567 | B C 1B | L3001 | B C 1C | | |
| C3011 | B C 1C | C4503 | A C 1B | C5568 | B C 1B | L3002 | B C 1C | | |
| C3012 | B C 1C | C4504 | A C 1C | C5569 | B C 1A | L3003 | B C 3C | | |
| C3013 | B C 2C | C4505 | A C 1B | C5570 | B C 1A | L3004 | B C 1C | | |
| C3014 | B C 1C | C4506 | A C 1C | C6604 | B C 3A | L3501 | A C 3C | | |
| C3015 | B C 1C | C4507 | A C 1C | C6605 | B C 3A | L3502 | A C 1A | | |
| C3016 | B C 1C | C4508 | A C 1B | C6609 | B C 3A | L3503 | A C 2C | | |
| C3017 | B C 2C | C4509 | A C 1B | C6610 | B C 3A | L3504 | A C 2B | | |
| C3018 | B C 1B | C4510 | A C 1C | C6611 | B C 3A | L3505 | A C 3C | | |
| C3019 | B C 1C | C4511 | A C 1B | C6612 | B C 3A | L3506 | A C 2C | | |
| C3020 | B C 2B | C5001 | B C 2A | C6613 | B C 3A | L3507 | A C 3B | | |
| C3021 | B C 1B | C5002 | B C 2A | CONNECOTR | | | | | |
| C3022 | B C 2B | C5003 | B C 1A | CN501 | B C 4A | L3701 | A C 3A | | |
| C3023 | B C 2B | C5004 | B C 1A | CN502 | B C 5A | L3801 | A C 3A | | |
| C3024 | B C 2B | C5005 | B C 2B | CN2001 | B C 3B | L3802 | A C 3A | | |
| C3025 | B C 2B | C5006 | B C 2B | CN2002 | B C 1B | L4001 | A C 3A | | |
| C3026 | B C 1C | C5007 | B C 2A | CN3001 | A C 1B | L4002 | A C 3B | | |
| C3027 | B C 2B | C5013 | B C 2A | CN3002 | B C 2C | L4501 | A C 1C | | |
| C3028 | B C 1B | C5014 | B C 2A | CN3003 | A C 2C | L4502 | A C 1B | | |
| C3029 | B C 1C | C5015 | B C 2A | CN4001 | B C 1A | L4503 | A C 2B | | |
| C3030 | B C 2B | C5016 | B C 1B | CN5501 | A C 5B | L5001 | B C 2A | | |
| C3031 | B C 2C | C5017 | B C 1B | CN6601 | A C 3A | L5002 | B C 1A | | |
| C3032 | B C 2B | C5018 | B C 3A | DIODE | | | | | |
| C3033 | B C 2B | C5019 | B C 2B | D501 | B C 4A | L5003 | B C 2B | | |
| C3034 | B C 1B | C5020 | B C 2B | D4002 | B C 5A | L5004 | B C 1A | | |
| C3035 | B C 1C | C5021 | B C 1A | D4004 | B C 5A | L5005 | B C 2A | | |
| C3036 | B C 1C | C5022 | B C 1A | D4005 | B C 3A | L5501 | A C 1B | | |
| C3037 | B C 1C | C5023 | B C 3A | D4101 | A C 2A | L5502 | A C 1A | | |
| C3038 | B C 1C | C5024 | B C 3A | IC | | | | | |
| C3039 | B C 1B | C5025 | B C 3A | IC401 | A C 4A | L5503 | A C 1A | | |
| C3040 | B C 2C | C5026 | B C 3A | IC402 | B C 5B | L5504 | A C 1A | | |
| C3041 | B C 2C | C5501 | A C 1B | IC501 | B C 3A | L5505 | A C 1A | | |
| C3042 | B C 1C | C5502 | A C 1B | IC502 | B C 4A | L5506 | B C 2A | | |
| C3043 | B C 2C | C5503 | A C 5A | IC503 | B C 5A | TRANSISTOR | | | |
| | | C5504 | A C 1B | IC504 | B C 5A | Q4001 | B C 1A | | |
| | | C5505 | A C 1B | | | Q4002 | B C 5A | | |
| | | C5506 | A C 1B | | | Q4003 | A C 1A | | |
| | | C5511 | A C 1A | | | | | | |

COMPONENT PARTS LOCATION GUIDE <MAIN > YB10282-01-06

| REF.NO. | LOCATION | REF.NO. | LOCATION | REF.NO. | LOCATION | REF.NO. | LOCATION | REF.NO. | LOCATION |
|-----------------|----------|---------|----------|---------|----------|---------|----------|-------------------|----------|
| RESISTOR | | | | | | | | | |
| R405 | A C 4A | R3072 | B C 1B | R4014 | B C 5A | R5017 | B C 1B | R6625 | B C 3A |
| R406 | A C 4A | R3073 | B C 1B | R4015 | A C 2B | R5018 | B C 2A | R6626 | B C 3A |
| R407 | A C 4A | R3074 | B C 1B | R4016 | A C 3A | R5019 | B C 2A | R6629 | B C 3A |
| R409 | A C 4A | R3075 | B C 2C | R4017 | A C 2A | R5020 | B C 2A | RA2001 | B C 2B |
| R410 | A C 5A | R3115 | B C 1C | R4018 | A C 2A | R5040 | B C 2B | RA2002 | B C 2B |
| R408 | A C 4A | R3116 | B C 1C | R4019 | A C 3A | R5041 | B C 2B | RA3001 | B C 2C |
| R411 | A C 5A | R3117 | B C 1B | R4020 | A C 3A | R5042 | B C 2A | RA3002 | B C 2C |
| R412 | A C 5A | R3118 | B C 2B | R4021 | A C 2A | R5044 | B C 2B | RA3003 | B C 2C |
| R413 | A C 4A | R3119 | B C 1B | R4022 | A C 2A | R5045 | B C 2B | RA3004 | B C 2C |
| R414 | A C 5A | R3120 | B C 2C | R4023 | A C 2A | R5046 | B C 2B | RA3005 | B C 2C |
| R415 | A C 5A | R3121 | B C 2B | R4024 | B C 5A | R5047 | B C 2B | RA3006 | B C 2C |
| R416 | A C 5A | R3122 | B C 2B | R4025 | A C 3A | R5048 | B C 2B | RA3007 | B C 2C |
| R417 | B C 5B | R3123 | B C 1B | R4026 | A C 3A | R5049 | B C 2B | RA5024 | B C 2A |
| R418 | A C 4A | R3124 | B C 1B | R4027 | B C 1B | R5050 | B C 2B | RA5025 | B C 2A |
| R419 | A C 4A | R3125 | B C 2B | R4028 | A C 3A | R5051 | B C 2B | RA5026 | B C 1A |
| R420 | B C 5B | R3126 | B C 2B | R4029 | A C 3B | R5052 | B C 2B | RA5027 | B C 1A |
| R421 | B C 5B | R3127 | B C 1B | R4030 | A C 3B | R5053 | B C 2B | RA5028 | B C 1A |
| R422 | B C 5B | R3128 | B C 2C | R4031 | A C 3B | R5054 | B C 2B | RA5029 | B C 2A |
| R423 | B C 5B | R3129 | B C 1B | R4032 | A C 2B | R5055 | B C 1B | | |
| R424 | B C 5B | R3131 | B C 2B | R4033 | A C 2B | R5056 | B C 2A | TEST POINT | |
| R425 | B C 5B | R3132 | B C 2B | R4035 | A C 2B | R5057 | B C 2A | TP2002 | B C 2B |
| R426 | B C 5B | R3133 | B C 2B | R4036 | A C 3B | R5060 | B C 2B | TP3701 | A C 3A |
| R427 | B C 5B | R3134 | B C 2B | R4037 | A C 3B | R5063 | B C 2B | TP3702 | A C 4A |
| R428 | B C 5B | R3135 | B C 2B | R4038 | A C 2B | R5064 | B C 2B | TP3703 | A C 4A |
| R501 | B C 3A | R3176 | B C 2C | R4039 | B C 2A | R5065 | B C 2B | TP3704 | A C 4A |
| R502 | B C 3A | R3177 | B C 2C | R4040 | B C 2A | R5066 | B C 3A | TP3705 | A C 4A |
| R503 | B C 3A | R3178 | B C 2C | R4041 | B C 2A | R5067 | B C 3A | TP3706 | A C 4A |
| R504 | B C 4A | R3180 | B C 1B | R4042 | B C 2A | R5068 | B C 3A | TP3707 | A C 4A |
| R505 | B C 4A | R3181 | B C 2C | R4043 | B C 2A | R5092 | B C 1A | TP3708 | A C 4A |
| R506 | B C 4A | R3182 | B C 2C | R4044 | A C 3A | R5094 | B C 1A | TP3709 | A C 4A |
| R507 | B C 4A | R3183 | B C 2C | R4045 | B C 2B | R5095 | B C 1A | TP3710 | A C 4A |
| R508 | B C 4A | R3184 | B C 1B | R4046 | A C 2B | R5096 | B C 1B | TP3711 | A C 4A |
| R509 | B C 4A | R3198 | B C 2B | R4047 | A C 3B | R5097 | A C 5A | TP4001 | A C 3A |
| R510 | B C 5A | R3199 | B C 2B | R4048 | A C 2B | R5154 | B C 2A | TP4004 | A C 3A |
| R511 | B C 5A | R3200 | B C 2B | R4049 | A C 2B | R5155 | B C 2A | TP4005 | A C 3A |
| R512 | B C 5A | R3201 | B C 2B | R4050 | A C 2B | R5158 | B C 2A | TP4501 | A C 1C |
| R513 | B C 4A | R3202 | B C 2B | R4051 | B C 1B | R5159 | B C 5A | TP5001 | B C 2A |
| R514 | B C 4A | R3203 | B C 2B | R4052 | A C 3A | R5160 | B C 2A | TP5003 | B C 2A |
| R515 | B C 4A | R3204 | B C 2B | R4055 | A C 2B | R5268 | B C 1B | TP5004 | B C 2A |
| R516 | B C 4A | R3205 | B C 2B | R4056 | A C 2B | R5404 | B C 1B | TP5005 | B C 2A |
| R517 | B C 4A | R3206 | B C 2B | R4057 | A C 2A | R5405 | B C 1B | TP5006 | B C 2A |
| R518 | B C 4A | R3207 | B C 2C | R4058 | A C 1A | R5408 | B C 1B | TP5007 | B C 2A |
| R519 | B C 4A | R3248 | B C 2C | R4059 | A C 1A | R5411 | B C 1B | TP5008 | B C 2A |
| R520 | B C 4A | R3249 | B C 2B | R4060 | A C 2A | R5414 | B C 1B | TP5009 | B C 2A |
| R2001 | B C 2B | R3250 | B C 2B | R4061 | A C 2A | R5439 | B C 1B | TP5501 | A C 1A |
| R2002 | B C 2B | R3271 | B C 2C | R4062 | B C 3B | R5446 | B C 1B | TP5502 | A C 1A |
| R2003 | B C 2B | R3272 | B C 2B | R4063 | B C 3B | R5447 | B C 1B | TP5503 | A C 1A |
| R2004 | B C 3B | R3273 | B C 2B | R4064 | A C 3A | R5501 | A C 2B | TP5504 | A C 1A |
| R2005 | B C 3B | R3274 | B C 2B | R4065 | A C 3A | R5502 | A C 1B | TP5505 | A C 5A |
| R2007 | B C 2B | R3295 | B C 2B | R4066 | A C 3A | R5503 | A C 5A | TP5507 | A C 4A |
| R2008 | B C 2B | R3296 | B C 2B | R4067 | A C 2A | R5506 | A C 2B | TP5508 | B C 1A |
| R2009 | B C 2C | R3297 | B C 2B | R4069 | A C 3A | R5510 | A C 1A | TP5515 | B C 1A |
| R2011 | B C 2C | R3503 | A C 2A | R4071 | A C 2A | R5513 | A C 1A | TP5516 | B C 1A |
| R3001 | B C 2B | R3504 | B C 1B | R4072 | A C 3A | R5514 | A C 1A | TP5518 | B C 1B |
| R3002 | B C 2B | R3505 | B C 1C | R4075 | A C 3A | R5515 | A C 1A | TP5520 | B C 1B |
| R3003 | B C 1B | R3506 | B C 1B | R4076 | A C 3A | R5517 | A C 1A | TP5521 | B C 2B |
| R3005 | B C 1B | R3507 | B C 1C | R4077 | A C 2A | R5520 | A C 1A | OTHER | |
| R3007 | B C 2B | R3508 | B C 1C | R4078 | A C 2C | R5521 | A C 1A | TL2002 | B C 3B |
| R3008 | B C 1B | R3722 | A C 4A | R4079 | A C 2C | R5523 | B C 2A | TL3001 | B C 2C |
| R3009 | B C 1C | R3723 | A C 4A | R4080 | A C 2C | R5524 | B C 2A | TL3002 | B C 2C |
| R3010 | B C 1C | R3724 | A C 4A | R4081 | B C 1B | R5525 | B C 2A | TL3004 | B C 2B |
| R3011 | B C 1B | R3725 | A C 4A | R4082 | A C 2C | R5526 | B C 2A | TL3006 | B C 2B |
| R3012 | B C 1C | R3726 | A C 4A | R4083 | A C 3B | R5527 | B C 1B | TL3009 | B C 1B |
| R3013 | B C 2B | R3727 | A C 4A | R4084 | A C 3B | R5528 | B C 1A | TL3015 | B C 1B |
| R3014 | B C 1B | R3728 | A C 2A | R4085 | A C 3A | R5529 | B C 1A | TL3017 | B C 1B |
| R3015 | B C 1B | R3729 | A C 4A | R4101 | A C 2A | R5530 | B C 1B | TL3502 | A C 3C |
| R3016 | A C 2A | R3730 | A C 4A | R4102 | A C 2A | R5531 | B C 1B | TL3503 | A C 3C |
| R3017 | B C 1C | R3731 | A C 4A | R4103 | A C 2A | R5532 | B C 1B | TL3510 | A C 2A |
| R3018 | A C 2A | R3732 | A C 4A | R4104 | A C 2A | R5533 | B C 1B | TL4001 | A C 3A |
| R3019 | A C 2A | R3733 | A C 2A | R4105 | A C 2A | R5534 | B C 1B | TL5001 | B C 3A |
| R3020 | B C 1C | R3734 | A C 4A | R4106 | A C 2A | R5535 | B C 1B | TL5501 | B C 5A |
| R3021 | A C 2A | R3735 | A C 2A | R4107 | A C 2A | R5536 | B C 1A | TL5502 | B C 1B |
| R3022 | A C 2A | R3736 | A C 2A | R4108 | A C 2A | R5537 | A C 1B | X3001 | B C 2C |
| R3023 | A C 2A | R3737 | A C 4A | R4184 | A C 3A | R5538 | A C 2B | X3002 | B C 1B |
| R3024 | B C 2C | R3738 | A C 4A | R4185 | A C 2A | R5540 | A C 1A | X4002 | A C 2B |
| R3031 | B C 2C | R3739 | A C 4A | R4188 | A C 3B | R5541 | B C 2B | X4003 | A C 3B |
| R3032 | B C 2C | R3740 | A C 4A | R4501 | A C 1B | R5542 | A C 2A | X4004 | A C 2C |
| R3033 | B C 2C | R3801 | B C 2B | R5001 | B C 2A | R5543 | A C 2A | | |
| R3034 | B C 2C | R4001 | B C 1A | R5002 | B C 2A | R5544 | A C 1B | | |
| R3035 | B C 2C | R4002 | A C 4A | R5003 | B C 2A | R5545 | B C 2A | | |
| R3036 | B C 2C | R4003 | B C 2C | R5004 | B C 2A | R5546 | B C 5A | | |
| R3037 | B C 2C | R4004 | B C 1B | R5005 | B C 2A | R6603 | B C 3A | | |
| R3038 | B C 2C | R4005 | B C 2B | R5006 | B C 2A | R6609 | B C 3A | | |
| R3039 | B C 2C | R4006 | B C 2B | R5007 | B C 3A | R6610 | B C 3A | | |
| R3040 | B C 2C | R4007 | B C 2B | R5008 | B C 3A | R6612 | B C 3A | | |
| R3041 | B C 2C | R4008 | A C 2C | R5009 | B C 1B | R6613 | B C 3A | | |
| R3042 | B C 2B | R4009 | A C 2B | R5010 | B C 5A | R6617 | B C 3A | | |
| R3043 | B C 2B | R4010 | A C 3A | R5012 | B C 3A | R6618 | B C 3A | | |
| R3044 | B C 2B | R4011 | A C 3A | R5013 | B C 5A | R6621 | B C 3A | | |
| | | R4012 | A C 3A | R5014 | B C 1B | R6622 | B C 3A | | |
| | | R4013 | A C 3A | R5015 | B C 2A | R6623 | B C 3A | | |

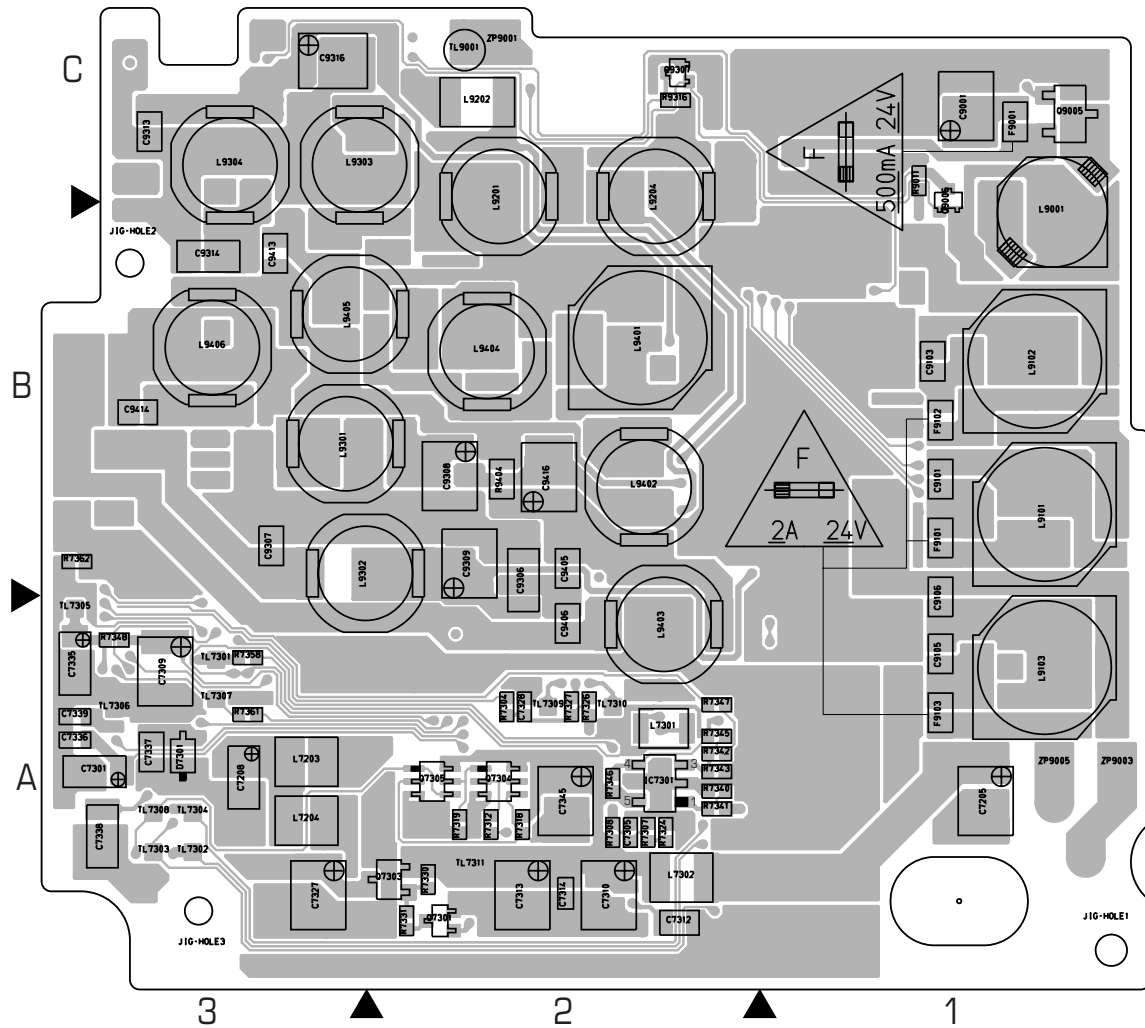
MAIN CIRCUIT BOARD



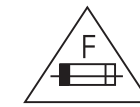
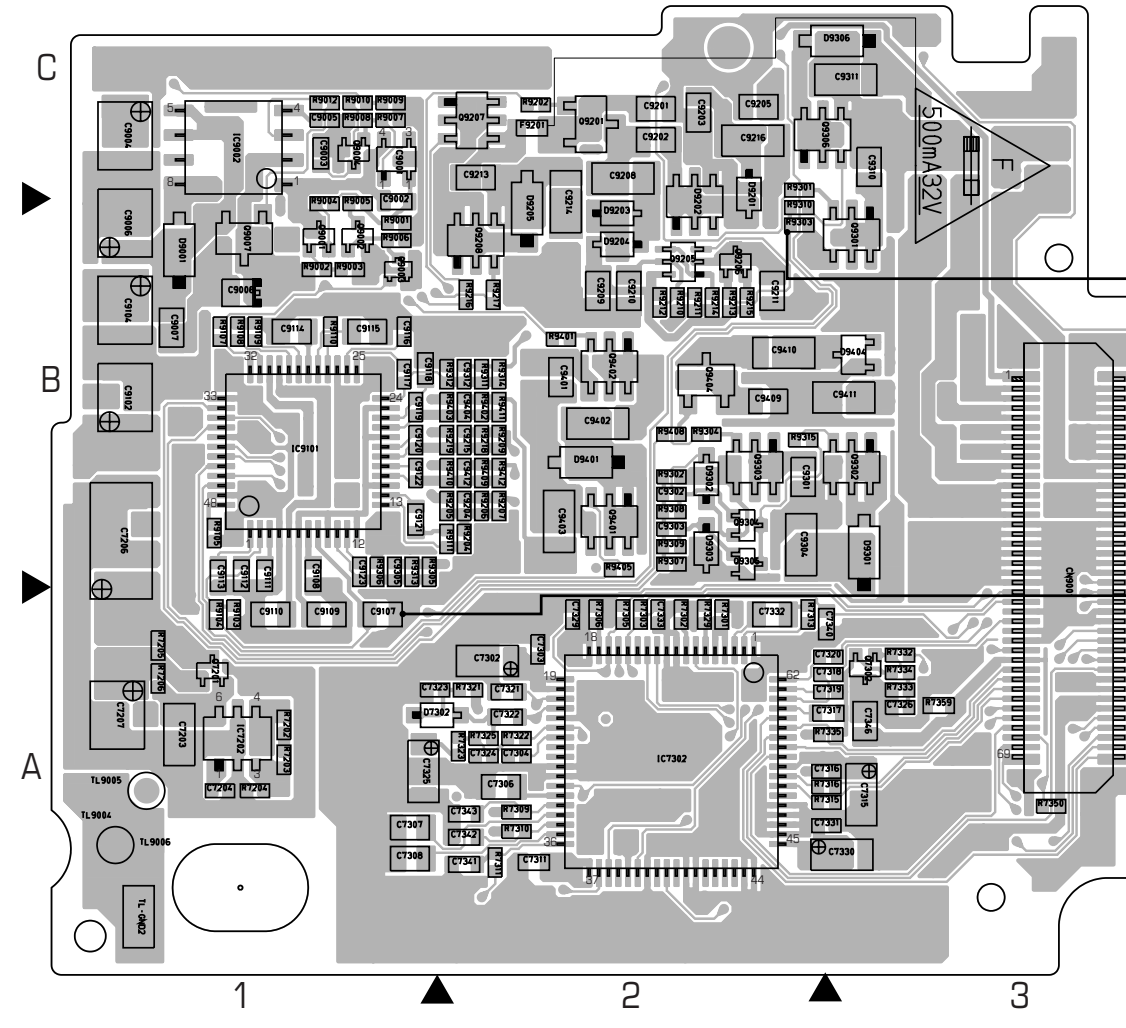
01 MAIN PWB YB10282-01-06

3.16 MONITOR REG CIRCUIT BOARD

COMPONENT SIDE (A)

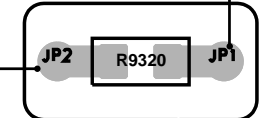


FOIL SIDE (B)



CAUTION:
FOR CONTINUED PROTECTION AGAINST
FIRE HAZARD, REPLACE ONLY WITH SAME
TYPE AND RATED FUSE.

ATTENTION:
POUR UNE PROTECTION PERMANENTE
CONTRE LES RISQUE D'INCENDE,
REPLACER LE FUSIBLE PAR UN AUTRE
DE MEME TYPE ET DE MEME TENSION.



PULL DOWN PWB
JP1 ~ R9303
JP2 ~ C9107

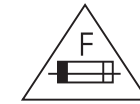
03 MONI REG PWB YB10283-01-02

COMPONENT PARTS LOCATION GUIDE <MONITOR REG> YB10283-01-02

| REF.NO. | LOCATION | REF.NO. | LOCATION | REF.NO. | LOCATION | REF.NO. | LOCATION | REF.NO. | LOCATION | REF.NO. | LOCATION | REF.NO. | LOCATION | REF.NO. | LOCATION | REF.NO. | LOCATION | REF.NO. | LOCATION | REF.NO. | LOCATION | | | | |
|------------------|----------|---------|----------|---------|----------|---------|----------|------------------|----------|-------------|----------|---------|----------|---------|----------|---------|----------|---------|----------|---------|----------|--------|--------|--------------|--------|
| CAPACITOR | | | | | | | | | | | | | | | | | | | | | | | | | |
| C7203 | B C 1A | C7321 | B C 2A | C9002 | B C 1B | C9120 | B C 1B | C9310 | B C 3C | D9201 | B C 2C | L9102 | A C 1B | Q9005 | A C 1C | R7303 | B C 2A | R7333 | B C 3A | R9011 | A C 1C | R9301 | B C 2C | OTHER | |
| C7204 | B C 1A | C7322 | B C 2A | C9003 | B C 1C | C9121 | B C 1B | C9311 | B C 3C | D9202 | B C 2B | L9103 | A C 1A | Q9006 | A C 1C | R7304 | B C 2A | R7334 | B C 3A | R9012 | B C 1C | R9302 | B C 2B | F9001 | A C 1C |
| C7205 | A C 1A | C7323 | B C 1A | C9004 | B C 1C | C9122 | B C 1B | C9312 | B C 2B | D9203 | B C 2B | L9201 | A C 2C | Q9007 | B C 1B | R7305 | B C 2A | R7335 | B C 3A | R9103 | B C 1C | R9303 | B C 2B | F9101 | A C 1B |
| C7206 | B C 1B | C7324 | B C 2A | C9005 | B C 1C | C9123 | B C 1B | C9313 | A C 3C | D9204 | B C 2B | L9202 | A C 2C | Q9201 | B C 2C | R7306 | B C 2A | R7340 | A C 2A | R9104 | B C 1A | R9304 | B C 2B | F9102 | A C 1B |
| C7207 | B C 1A | C7325 | B C 1A | C9006 | B C 1B | C9201 | B C 2C | C9314 | A C 3B | D9205 | B C 2B | L9204 | A C 2C | Q9205 | B C 2B | R7307 | A C 2A | R7341 | A C 2A | R9105 | B C 1B | R9305 | B C 1B | F9103 | A C 1A |
| C7208 | A C 3A | C7326 | B C 3A | C9007 | B C 1B | C9202 | B C 2C | C9316 | A C 3C | D9301 | B C 3B | L9301 | A C 3B | Q9206 | B C 2B | R7308 | A C 2A | R7342 | A C 2A | R9107 | B C 1B | R9306 | B C 1B | F9201 | B C 2C |
| C7301 | A C 3A | C7327 | A C 3A | C9008 | B C 1B | C9203 | B C 2C | C9401 | B C 2B | D9302 | B C 2B | L9302 | A C 3B | Q9207 | B C 2C | R7309 | B C 2A | R7343 | A C 2A | R9108 | B C 1B | R9307 | B C 2B | TL7301 | A C 3A |
| C7302 | B C 2A | C7328 | A C 2A | C9101 | A C 1B | C9204 | B C 2C | C9402 | B C 2B | D9303 | B C 2B | L9303 | A C 3C | Q9208 | B C 2B | R7310 | B C 2A | R7345 | A C 2A | R9109 | B C 1B | R9308 | B C 2B | TL7302 | A C 3A |
| C7303 | B C 2A | C7329 | B C 2A | C9102 | B C 1B | C9205 | B C 2C | C9403 | B C 2B | D9306 | B C 3C | L9304 | A C 3C | Q9301 | B C 3B | R7311 | B C 2A | R7346 | A C 2A | R9110 | B C 1B | R9309 | B C 2B | TL7303 | A C 3A |
| C7304 | B C 2A | C7330 | B C 3A | C9103 | A C 1B | C9208 | B C 2C | C9404 | B C 2B | D9401 | A C 2B | L9401 | A C 2B | Q9302 | B C 3B | R7312 | A C 2A | R7347 | A C 2A | R9111 | B C 2B | R9310 | B C 2B | TL7304 | A C 3A |
| C7305 | A C 2A | C7331 | B C 3A | C9104 | B C 1B | C9209 | B C 2C | C9405 | A C 2B | D9404 | B C 3B | L9402 | A C 2B | Q9303 | B C 2B | R7313 | B C 2A | R7348 | A C 3A | R9202 | B C 2C | R9311 | B C 2B | TL7305 | A C 3A |
| C7306 | B C 2A | C7332 | B C 2A | C9105 | A C 1A | C9210 | B C 2B | C9406 | A C 2A | L9403 | A C 2A | Q9304 | B C 2B | R7315 | B C 3A | R7350 | B C 3A | R9204 | B C 2B | R9312 | B C 2B | TL7306 | A C 3A | | |
| C7307 | B C 1A | C7333 | B C 2A | C9106 | A C 1B | C9211 | B C 2B | C9409 | A C 2B | L9404 | A C 2B | Q9305 | B C 2B | R7316 | B C 3A | R7358 | A C 3A | R9205 | B C 2B | R9313 | B C 1B | TL7307 | A C 3A | | |
| C7308 | B C 1A | C7335 | A C 3A | C9107 | B C 1A | C9213 | B C 2C | C9410 | B C 2B | L9405 | A C 3B | Q9306 | B C 2C | R7318 | A C 2A | R7359 | B C 3A | R9206 | B C 2B | R9314 | B C 2B | TL7308 | A C 3A | | |
| C7309 | A C 3A | C7336 | A C 3A | C9108 | B C 1B | C9214 | B C 2B | C9411 | B C 3B | L9406 | A C 3B | Q9307 | A C 2C | R7319 | A C 2A | R7361 | A C 3A | R9207 | B C 2B | R9315 | B C 2B | TL7309 | A C 2A | | |
| C7310 | A C 2A | C7337 | A C 3A | C9109 | B C 1A | C9215 | B C 2B | C9412 | B C 2B | IC7202 | B C 1A | Q9401 | A C 2B | R7321 | B C 2A | R7362 | A C 3B | R9209 | B C 2B | R9316 | A C 2C | TL7310 | A C 2A | | |
| C7311 | B C 2A | C7338 | A C 3A | C9110 | B C 1A | C9216 | B C 2C | C9413 | A C 3B | IC7302 | A C 2A | Q9402 | B C 2B | R7322 | B C 2A | R9001 | B C 1B | R9210 | B C 2B | R9317 | A C 2A | TL7311 | A C 2A | | |
| C7312 | A C 2A | C7339 | A C 3A | C9111 | B C 1B | C9301 | B C 2B | C9414 | A C 3B | IC9002 | B C 1C | Q9404 | B C 2B | R7323 | B C 2A | R9002 | B C 1B | R9211 | B C 2B | R9402 | B C 2B | TL9001 | A D 2C | | |
| C7313 | A C 2A | C7340 | B C 3A | C9112 | B C 1B | C9302 | B C 2B | C9416 | A C 2B | IC9101 | B C 1B | Q9404 | B C 2B | R7324 | A C 2A | R9003 | B C 1B | R9212 | B C 2B | R9403 | B C 2B | TL9004 | A D 1A | | |
| C7314 | A C 2A | C7341 | B C 2A | C9113 | B C 1B | C9303 | B C 2B | CONNECTOR | | COIL | | R7325 | B C 2A | R9004 | B C 1B | R9213 | B C 2B | R9404 | A C 2B | TL9005 | A D 1A | | | | |
| C7315 | B C 3A | C7342 | B C 2A | C9114 | B C 1B | C9304 | B C 2B | CN9001 | B C 3B | L7203 | A C 3A | R7326 | A C 2A | R9005 | B C 1B | R9214 | B C 2B | R9405 | B C 2B | TL9006 | B C 1A | | | | |
| C7316 | B C 3A | C7343 | B C 2A | C9115 | B C 1B | C9305 | B C 1B | L7204 | A C 3A | L7301 | A C 2A | R7327 | A C 2A | R9006 | B C 1B | R9215 | B C 2B | R9408 | B C 2B | TL-GND2 | B C 1A | | | | |
| C7317 | B C 3A | C7344 | A C 2A | C9116 | B C 1B | C9306 | A C 3B | L7302 | A C 2A | L9001 | A C 1B | R7204 | B C 1A | R9007 | B C 1C | R9216 | B C 2B | R9409 | B C 2B | ZP9001 | A C 2C | | | | |
| C7318 | B C 3A | C7346 | B C 3A | C9117 | B C 1B | C9307 | A C 3B | L9010 | A C 1B | L9101 | A C 1B | R7205 | B C 1A | R9008 | B C 1C | R9217 | B C 2B | R9410 | B C 2B | ZP9003 | A C 1A | | | | |
| C7319 | B C 3A | C9001 | A C 1C | C9118 | B C 1B | C9308 | A C 2B | D7301 | A C 3A | | | R7206 | B C 1A | R9009 | B C 1C | R9218 | B C 2B | R9411 | B C 2B | ZP9005 | A C 1A | | | | |
| | | | | C9119 | B C 1B | C9309 | A C 2B | D7302 | B C 1A | | | R7301 | B C 2A | R9010 | B C 1C | R9219 | B C 2B | R9412 | B C 2B | | | | | | |

COMPONENT SIDE (A)

FOIL SIDE (B)

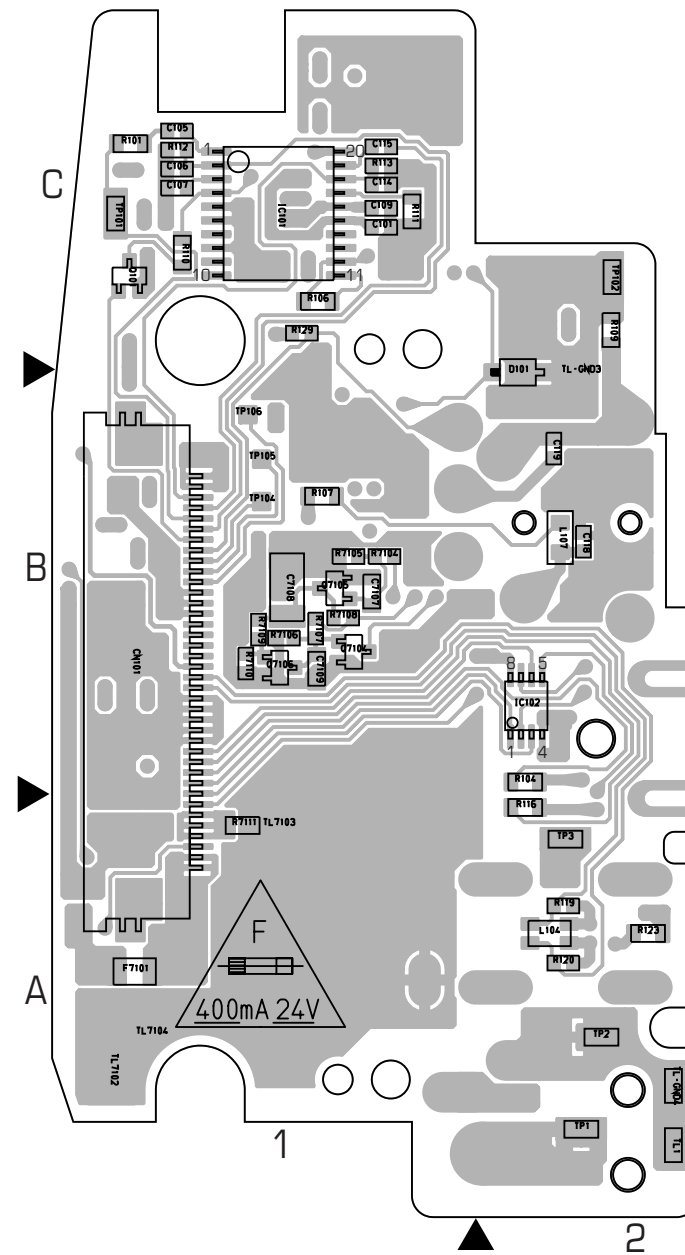
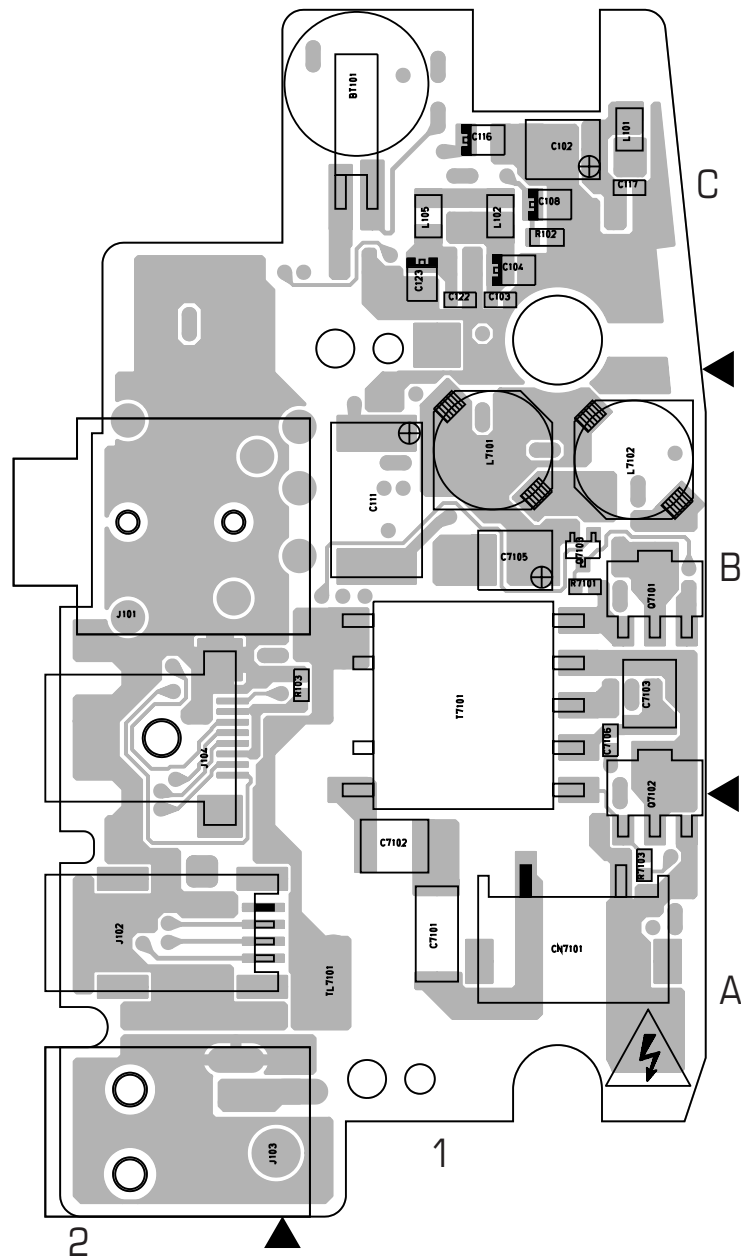


CAUTION:
FOR CONTINUED PROTECTION AGAINST
FIRE HAZARD, REPLACE ONLY WITH SAME
TYPE AND RATED FUSE.

ATTENTION:
POUR UNE PROTECTION PERMANENTE
CONTRE LES RISQUE D'INCENDE,
REEMPLACER LE FUSIBLE PAR UN AUTRE
DE MEME TYPE ET DE MEME TENSION.

COMPONENT PARTS LOCATION GUIDE <JACK> YB10283-01-02

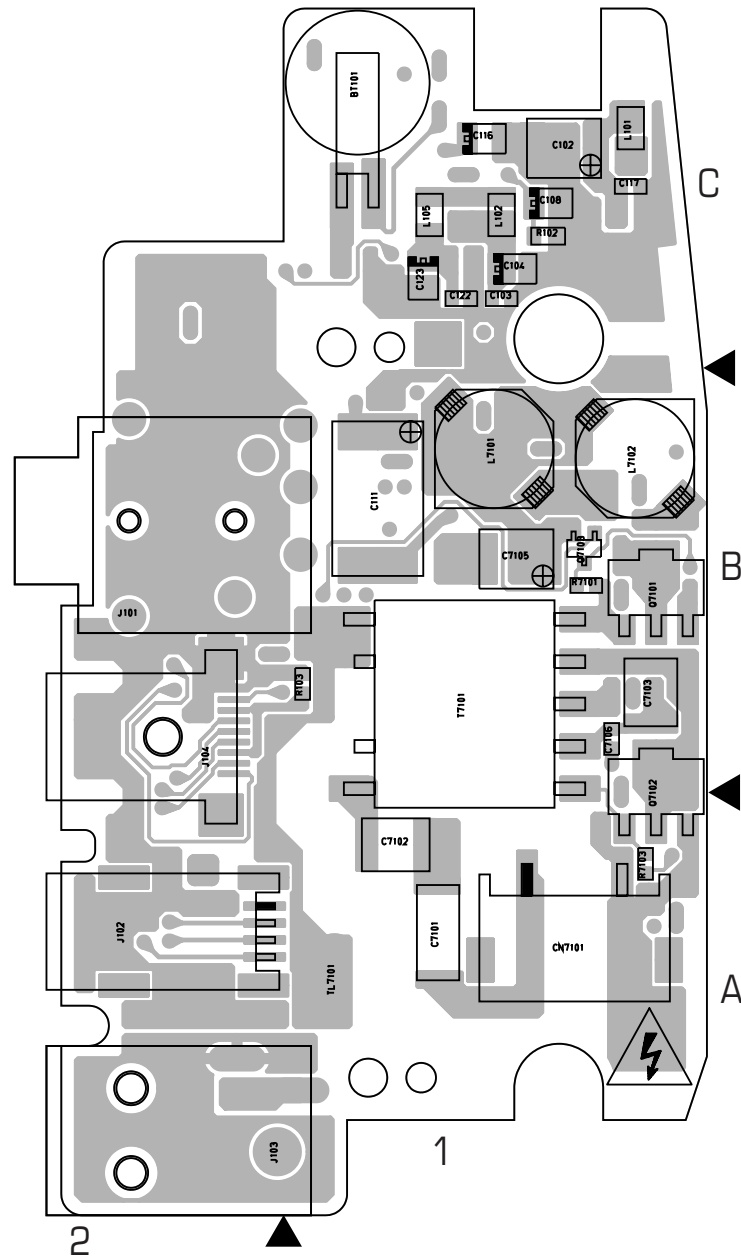
| REF.NO. | LOCATION | REF.NO. | LOCATION | REF.NO. | LOCATION |
|------------------|----------|-------------------|----------|-------------------|----------|
| CAPACITOR | | COIL | | R7104 | B C 1B |
| C101 | B C 1C | L101 | A C 1C | R7105 | B C 1B |
| C102 | A C 1C | L102 | A C 1C | R7106 | B C 1B |
| C103 | A C 1C | L104 | B C 2A | R7107 | B C 1B |
| C104 | A C 1C | L105 | A C 1C | R7108 | B C 1B |
| C105 | B C 1C | L107 | B C 2B | R7109 | B C 1B |
| C106 | B C 1C | L7101 | A C 1B | R7110 | B C 1B |
| C107 | B C 1C | L7102 | A C 1B | R7111 | B C 1A |
| C108 | A C 1C | TRANSISTOR | | TEST POINT | |
| C109 | B C 1C | Q101 | B C 1C | TP1 | B C 2A |
| C111 | A C 1B | Q7101 | A C 1B | TP101 | B C 1C |
| C114 | B C 1C | Q7102 | A C 1B | TP102 | A C 2C |
| C115 | B C 1C | Q7103 | A C 1B | TP104 | B C 1B |
| C116 | A C 1C | Q7104 | B C 1B | TP105 | B C 1B |
| C117 | A C 1C | Q7105 | B C 1B | TP106 | B C 1B |
| C118 | B C 2B | Q7106 | B C 1B | TP2 | B C 2A |
| C119 | B C 2B | RESISTOR | | TP3 | B C 2A |
| C122 | A C 1C | R101 | B C 1C | OTHER | |
| C123 | A C 1C | R102 | A C 1C | BT101 | A C 1C |
| C7101 | A C 1A | R103 | A C 1B | F7101 | B C 1A |
| C7102 | A C 1A | R104 | B C 2B | J101 | A D 2B |
| C7103 | A C 1B | R106 | B C 1C | J102 | A C 2A |
| C7105 | A C 1B | R107 | B C 1B | J103 | A D 2A |
| C7106 | A C 1B | R109 | B C 2C | J104 | A C 2B |
| C7107 | B C 1B | R110 | B C 1C | PC078 | A C 1C |
| C7108 | B C 1B | R111 | B C 1C | T7101 | A C 1B |
| C7109 | B C 1B | R112 | B C 1C | TL-GND3 | B C 2B |
| CONNECTOR | | R113 | B C 1C | TL1 | B C 2A |
| CN101 | B C 1B | R116 | B C 2A | TL7101 | A D 1A |
| CN7101 | A C 1A | R119 | B C 2A | TL7102 | B C 1A |
| DIODE | | R120 | B C 2A | TL7103 | B C 1A |
| D101 | B C 2B | R123 | B C 2A | TL7104 | B C 1A |
| IC | | R129 | B C 1C | | |
| IC101 | B C 1C | R7101 | A C 1B | | |
| IC102 | B C 2B | R7103 | A C 1A | | |



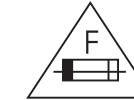
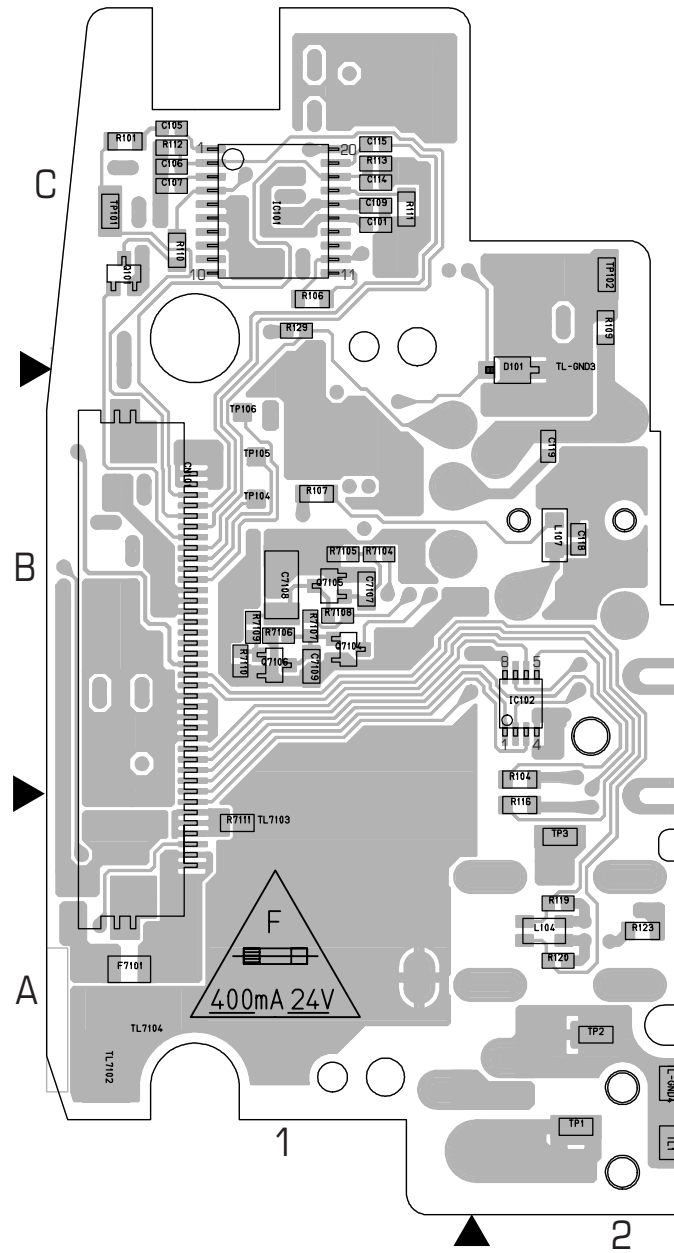
04 JACK PWB YB10283-01-02

3.19 JACK CIRCUIT BOARD

COMPONENT SIDE (A)



FOIL SIDE (B)



CAUTION:
FOR CONTINUED PROTECTION AGAINST
FIRE HAZARD, REPLACE ONLY WITH SAME
TYPE AND RATED FUSE.

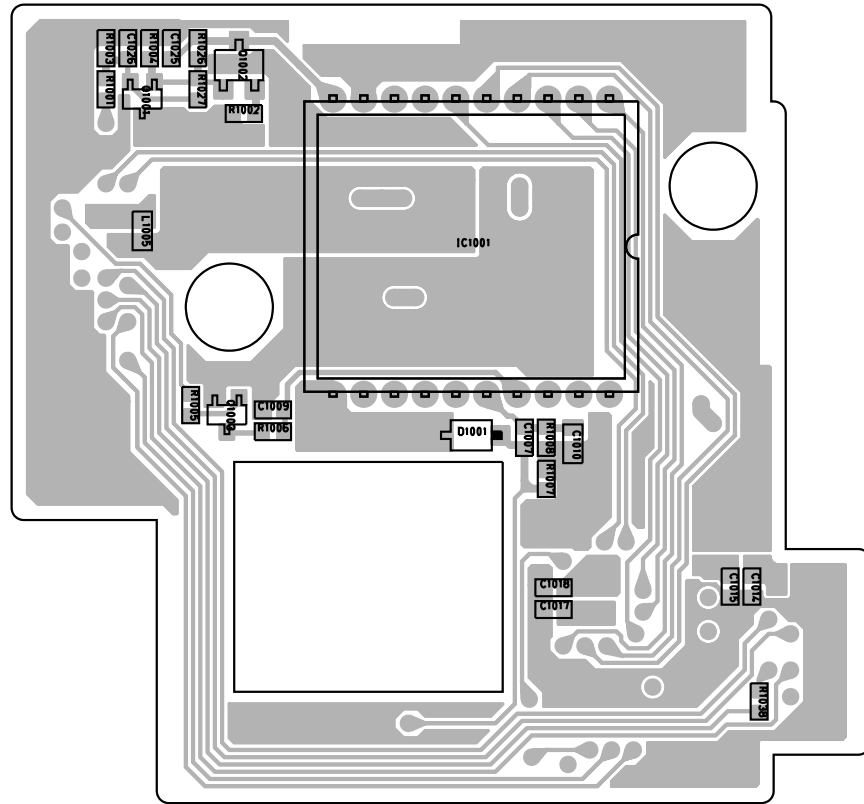
ATTENTION:
POUR UNE PROTECTION PERMANENTE
CONTRE LES RISQUE D'INCENDE,
REPLACER LE FUSIBLE PAR UN AUTRE
DE MEME TYPE ET DE MEME TENSION.

COMPONENT PARTS LOCATION GUIDE <JACK> YB10283-01-04

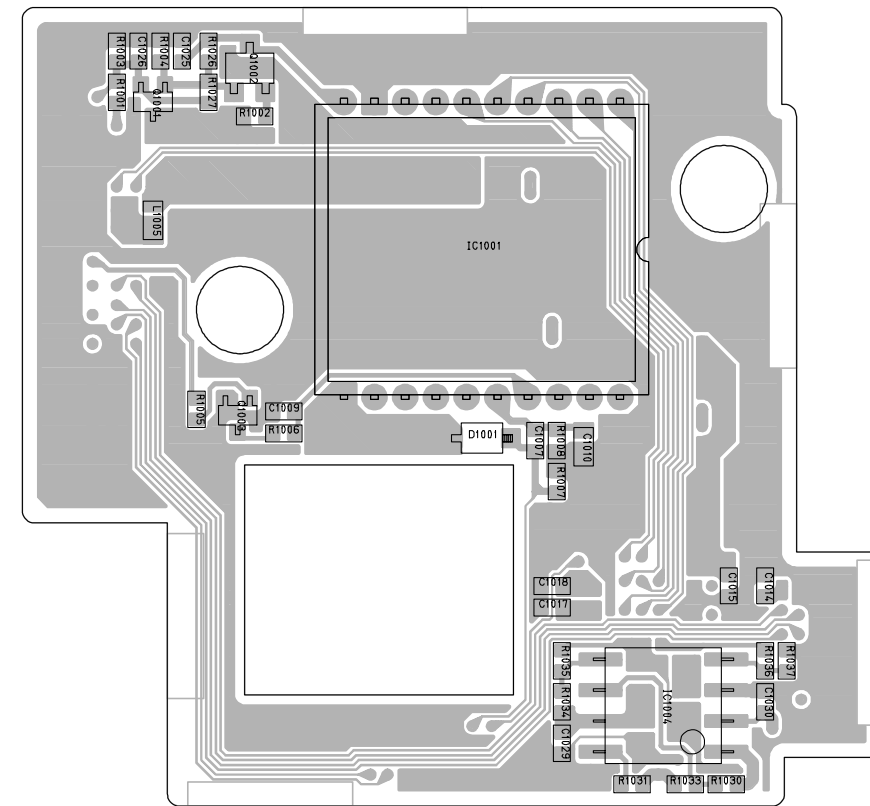
| REF.NO. | LOCATION | REF.NO. | LOCATION | REF.NO. | LOCATION |
|------------------|----------|-------------------|----------|-------------------|----------|
| CAPACITOR | | COIL | | R7105 | B C 1B |
| C101 | B C 1C | L101 | A C 1C | R7106 | B C 1B |
| C102 | A C 1C | L102 | A C 1C | R7107 | B C 1B |
| C103 | A C 1C | L104 | B C 2A | R7108 | B C 1B |
| C104 | A C 1C | L105 | A C 1C | R7109 | B C 1B |
| C105 | B C 1C | L107 | B C 2B | R7110 | B C 1B |
| C106 | B C 1C | L7101 | A C 1B | R7111 | B C 1A |
| C107 | B C 1C | L7102 | A C 1B | TEST POINT | |
| C108 | A C 1C | TRANSISTOR | | TP1 | B C 2A |
| C109 | B C 1C | Q101 | B C 1C | TP101 | B C 1C |
| C111 | A C 1B | Q7101 | A C 1B | TP102 | B C 2C |
| C114 | B C 1C | Q7102 | A C 1B | TP104 | B C 1B |
| C115 | B C 1C | Q7103 | A C 1B | TP105 | B C 1B |
| C116 | A C 1C | Q7104 | B C 1B | TP106 | B C 1B |
| C117 | A C 1C | Q7105 | B C 1B | TP2 | B C 2A |
| C118 | B C 2B | Q7106 | B C 1B | TP3 | B C 2A |
| C119 | B C 2B | RESISTOR | | OTHER | |
| C122 | A C 1C | R101 | B C 1C | BT101 | A C 1C |
| C123 | A C 1C | R102 | A C 1C | F7101 | B C 1A |
| C7101 | A C 1A | R103 | A C 1B | J101 | A D 2B |
| C7102 | A C 1A | R104 | B C 2B | J102 | A C 2A |
| C7103 | A C 1B | R106 | B C 2B | J103 | A D 2A |
| C7105 | A C 1B | R107 | B C 1B | J104 | A C 2B |
| C7106 | A C 1B | R109 | B C 2C | PC078 | A C 1C |
| C7107 | B C 1B | R110 | B C 1C | T7101 | A C 1B |
| C7108 | B C 1B | R111 | B C 1C | TL-GND3 | B C 2B |
| C7109 | B C 1B | R112 | B C 1C | TL-GND4 | B C 2A |
| CONNECTOR | | R113 | B C 1C | TL1 | B C 2A |
| CN101 | B C 1B | R116 | B C 2A | TL7101 | A D 1A |
| CN7101 | A C 1A | R119 | B C 2A | TL7102 | B C 1A |
| DIODE | | R120 | B C 2A | TL7103 | B C 1A |
| D101 | B C 2B | R123 | B C 2A | TL7104 | B C 1A |
| IC | | R129 | B C 1C | | |
| IC101 | B C 1C | R7101 | A C 1B | | |
| IC102 | B C 2B | R7103 | A C 1A | | |
| | | R7104 | B C 1B | | |

04 JACK PWB YB10283-01-04

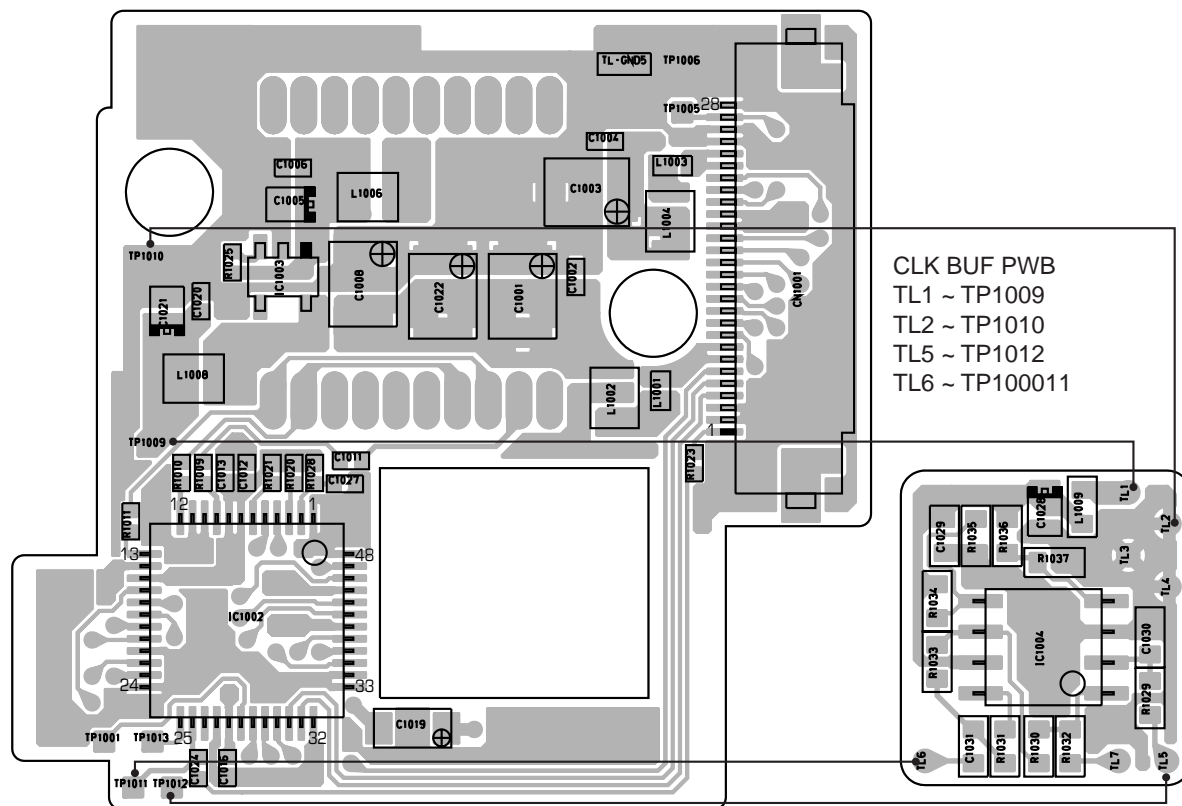
COMPONENT SIDE (A)



COMPONENT SIDE (A)

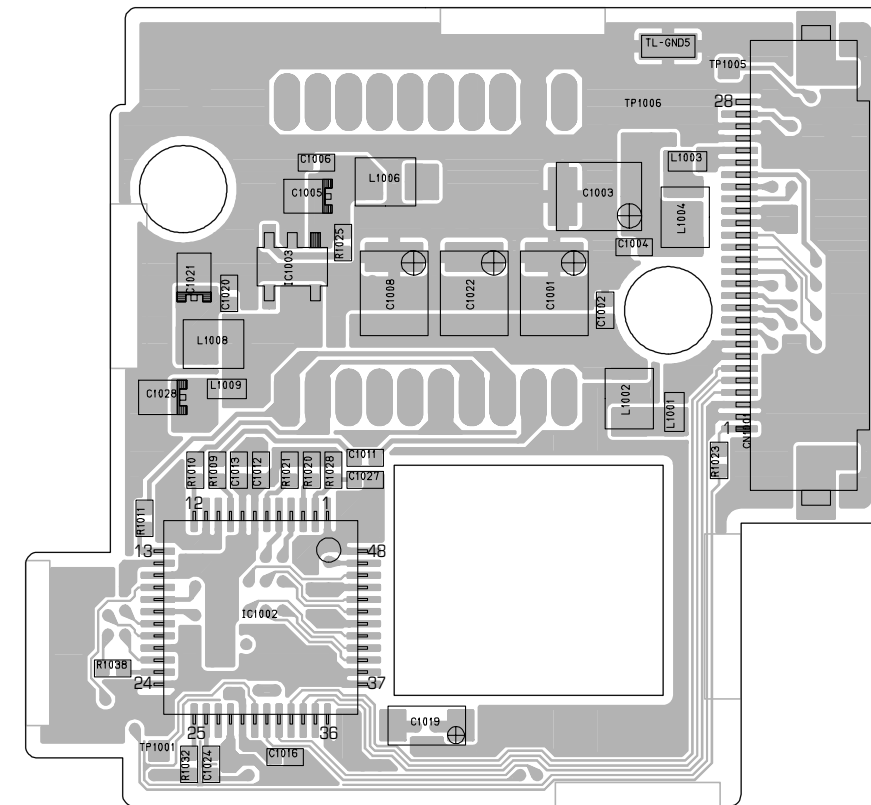


FOIL SIDE (B)



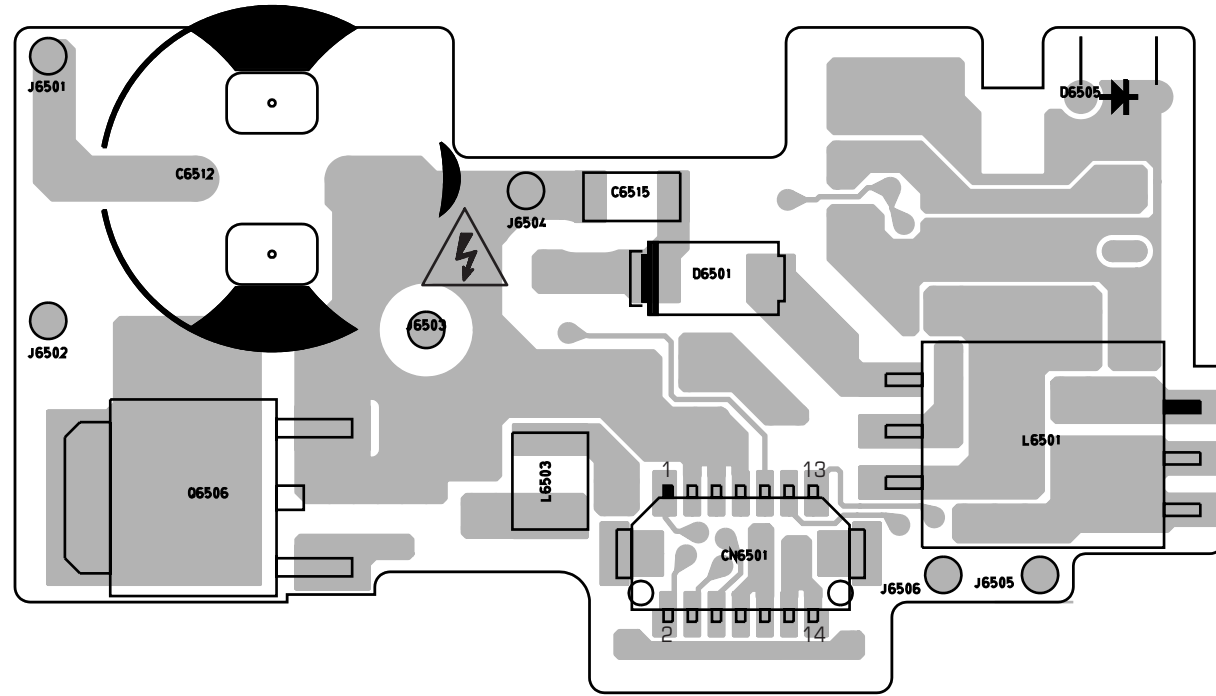
02 CCD PWB YB10283-01-02

FOIL SIDE (B)

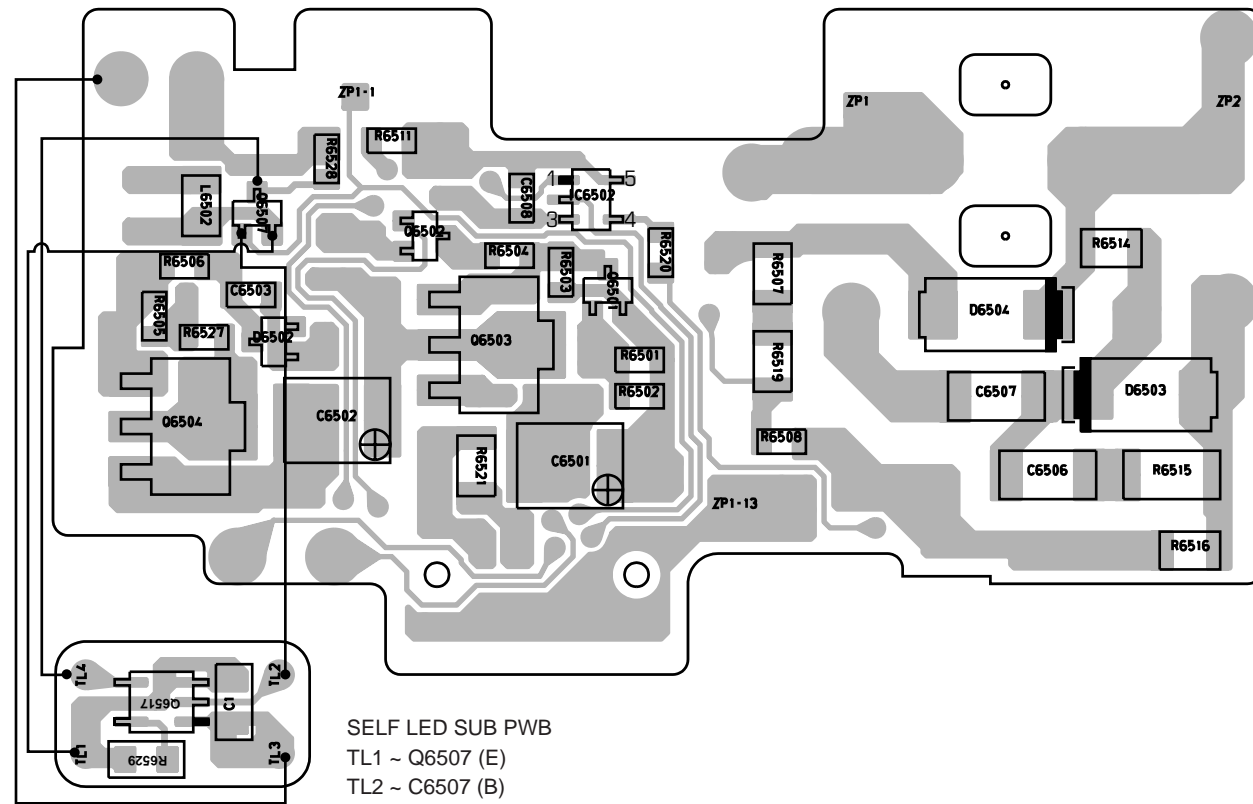


02 CCD PWB YB10283-01-04

COMPONENT SIDE (A)



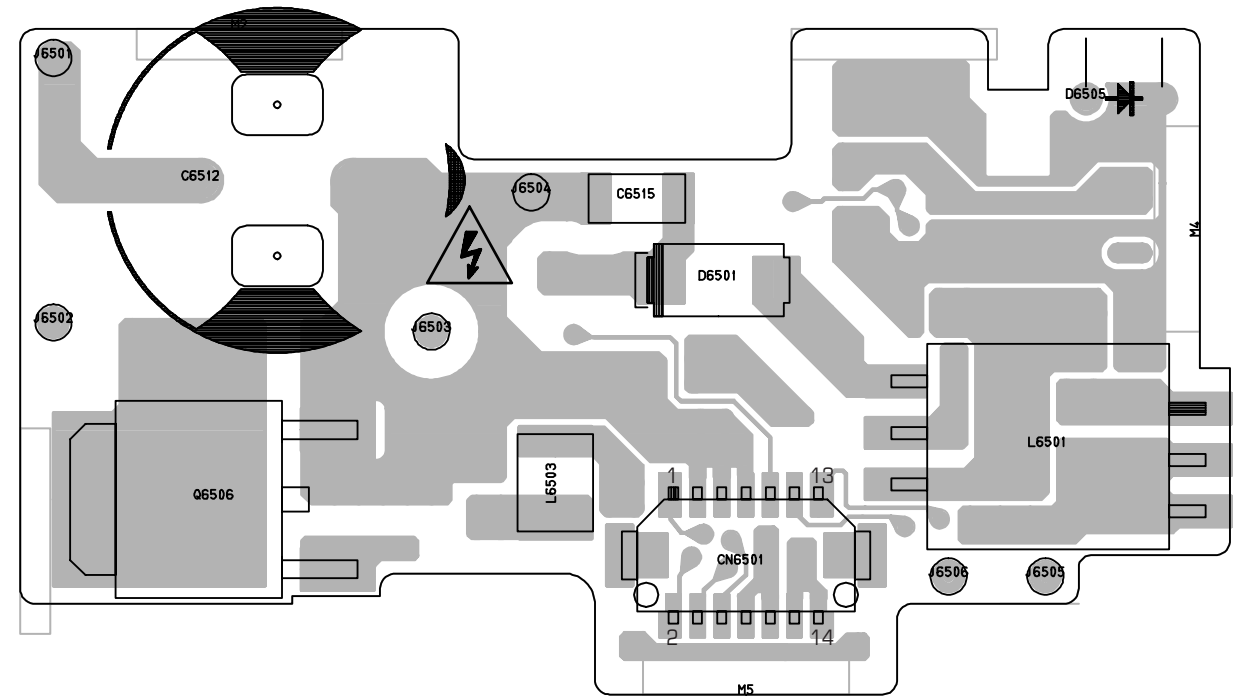
FOIL SIDE (B)



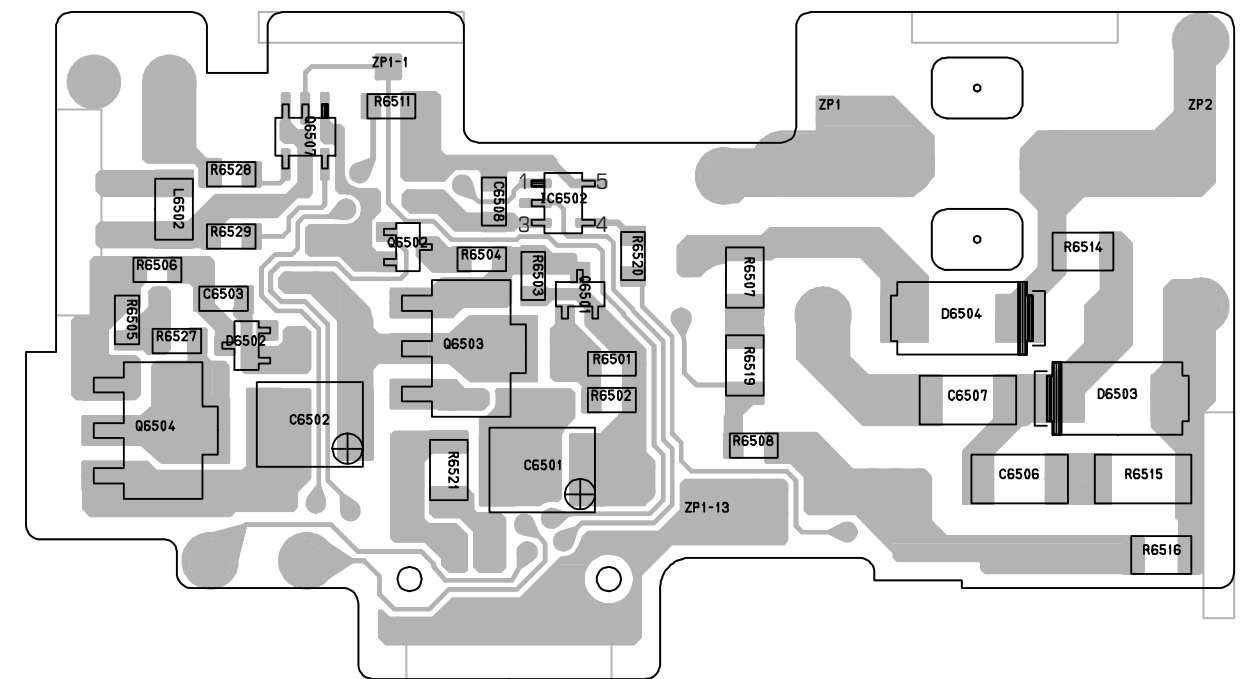
SELF LED SUB PWB
 TL1 ~ Q6507 (E)
 TL2 ~ C6507 (B)
 TL3 ~ D6505
 TL4 ~ Q6507 (E)

05 STROBE FLASH PWB YB10282-01-02

COMPONENT SIDE (A)

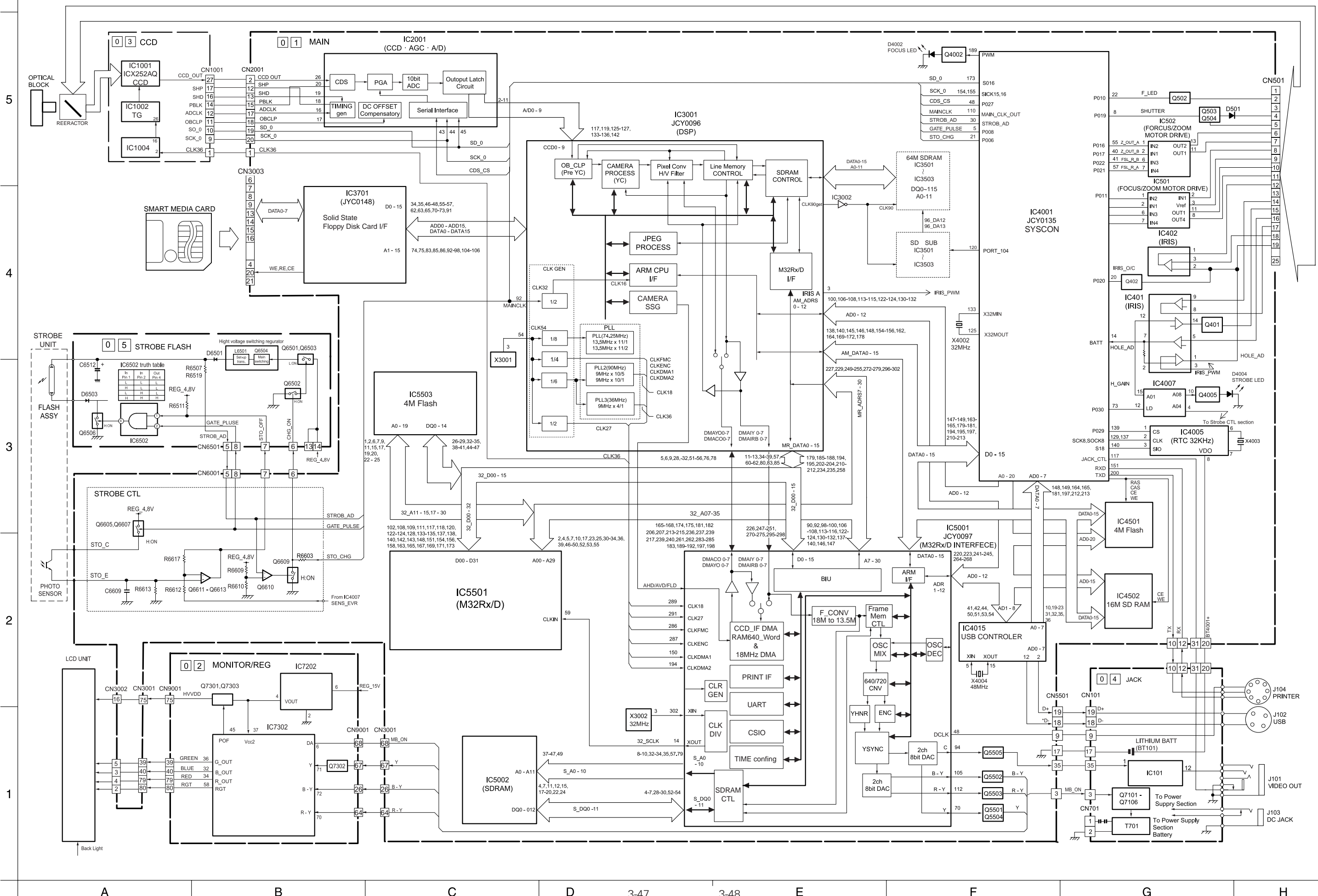


FOIL SIDE (B)

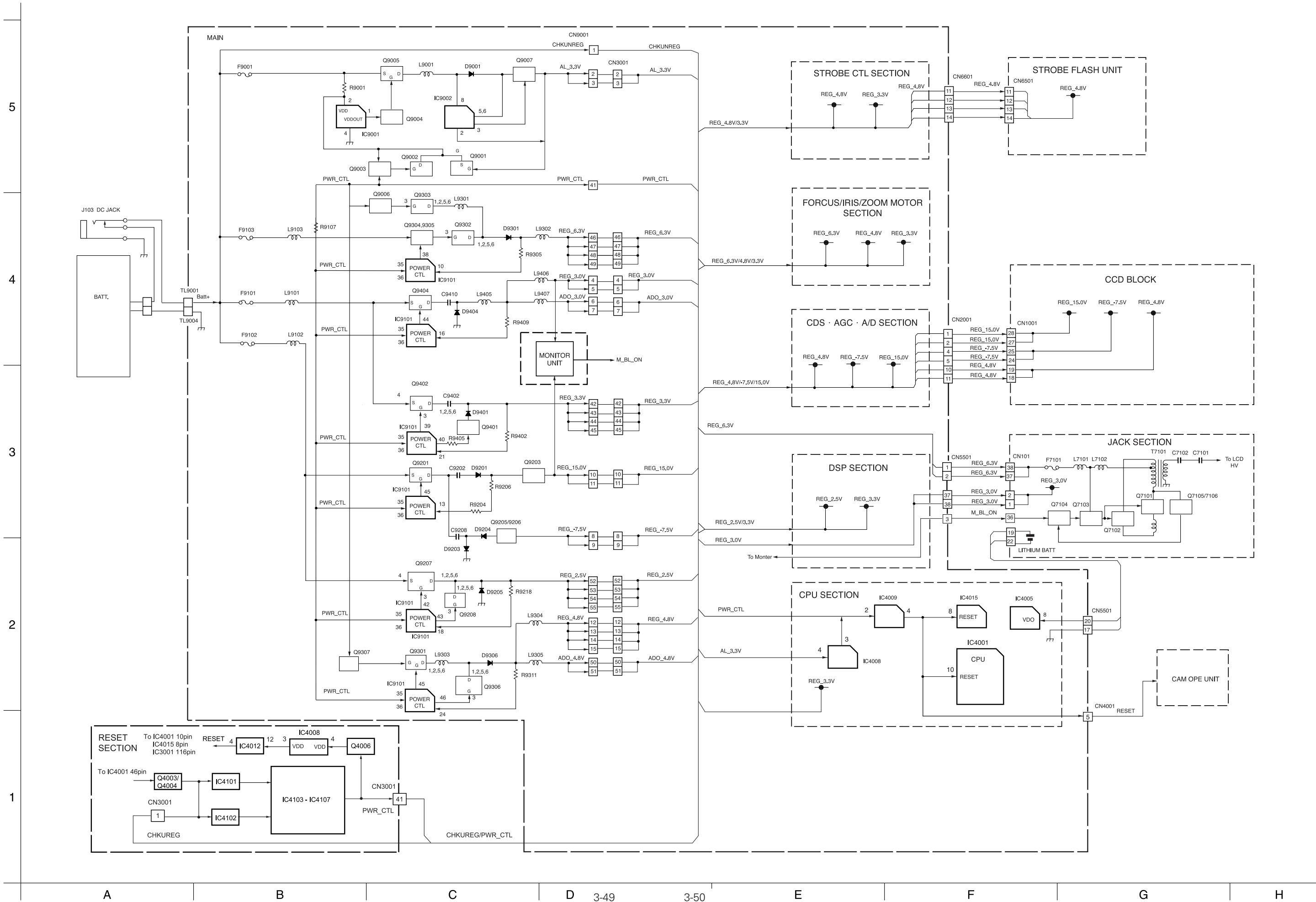


05 STROBE FLASH PWB YB10282-01-04

3.24 OVER ALL BLOCK DIAGRAM



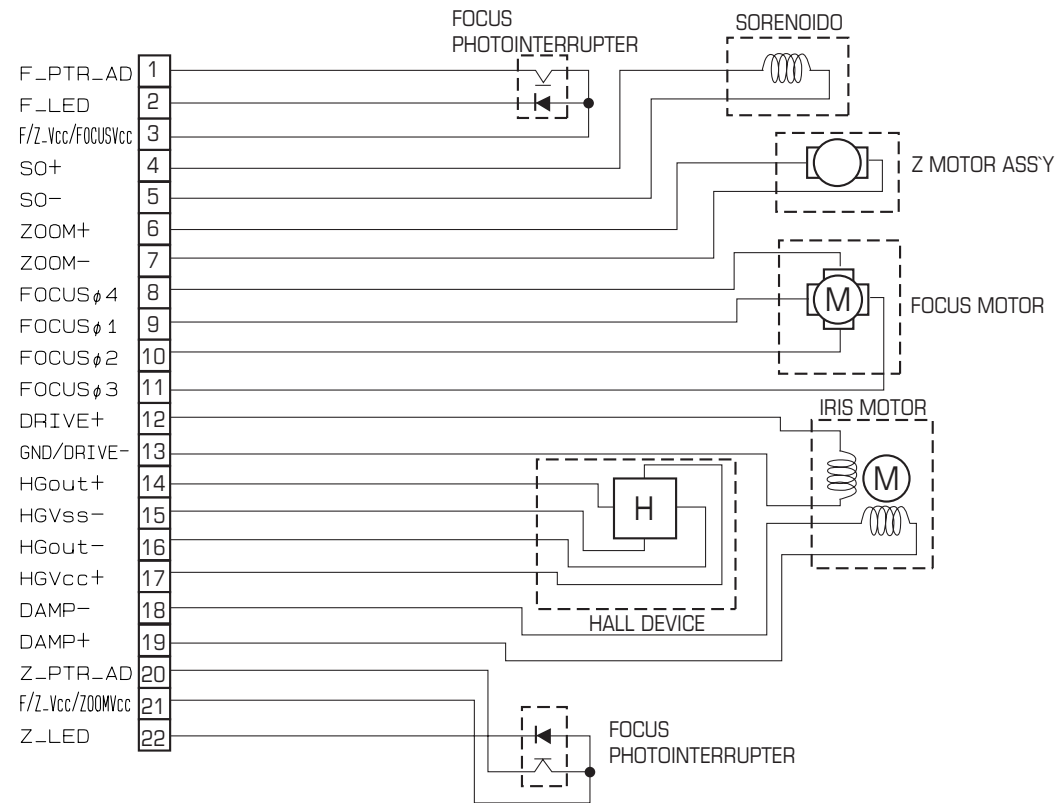
3.25 POWER SUPPLY BLOCK DIAGRAM



A B C D 3-49 3-50 E F G H

5
4
3
2
1

3.26 OP BLOCK SCHEMATIC DIAGRAM <REFERENCE>



3.27 OPERATION UNIT SCHEMATIC DIAGRAM <REFERENCE>

